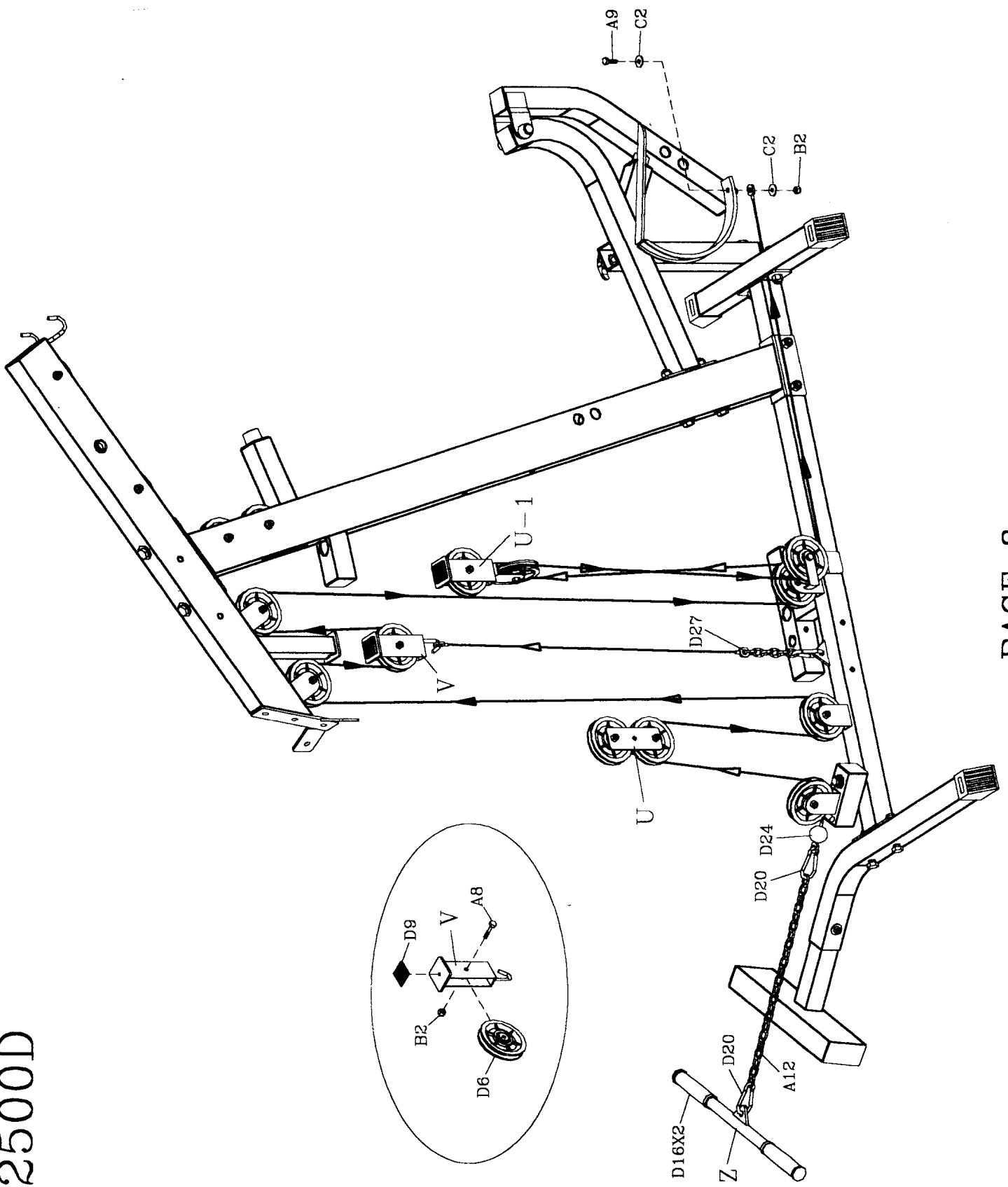












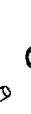










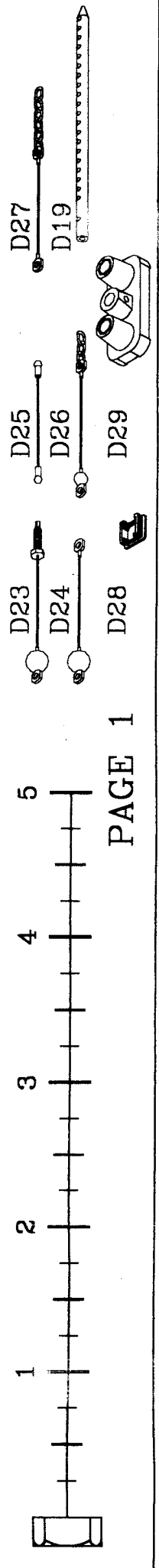
EXM-2500D



Body-Solid

EXM-2500D HARDWARE ILLUSTRATION SHEET

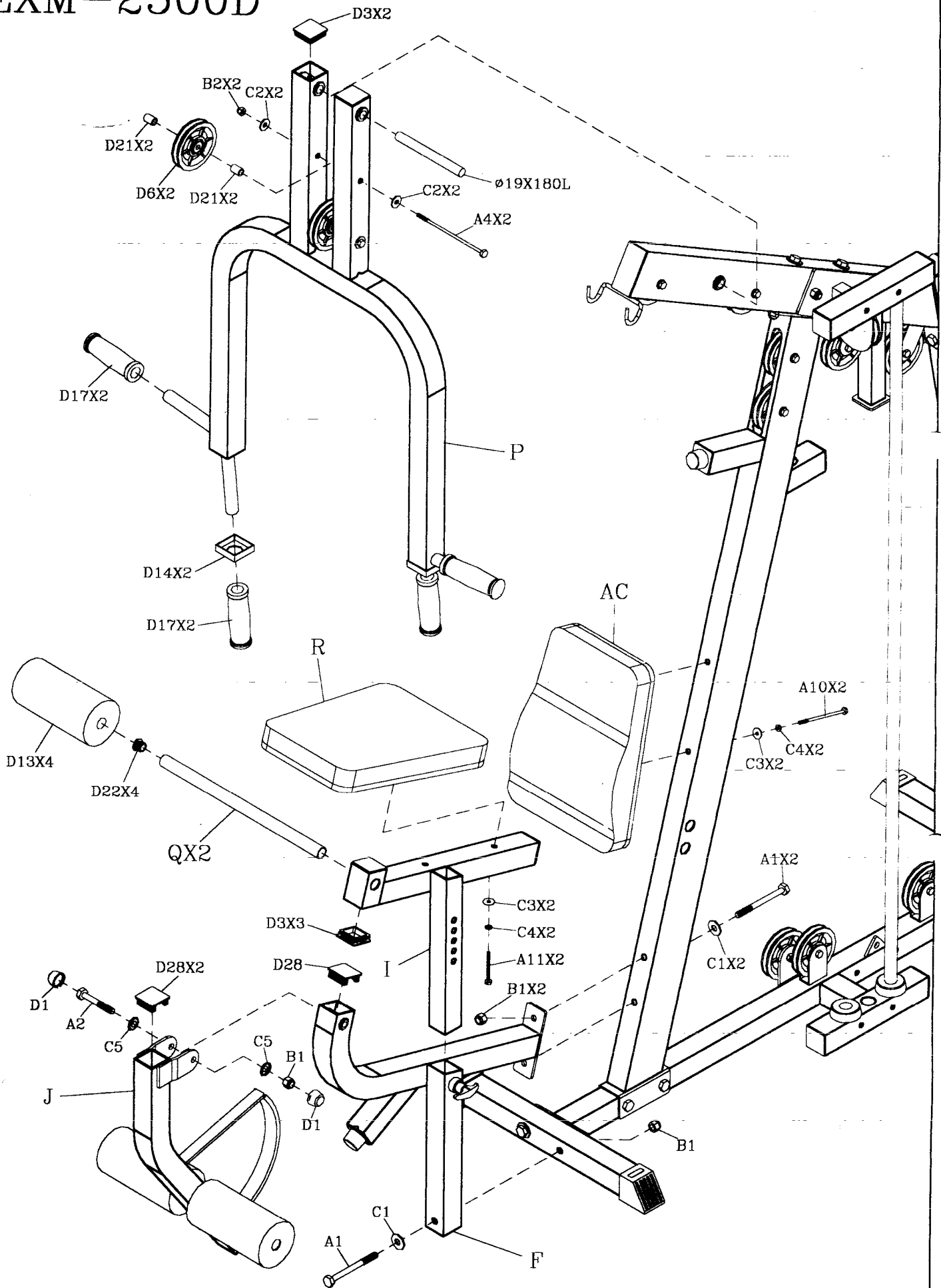
Qty.				Qty.
[5PCS]		A1. 1/2"x5" HEX HEAD BOLT	D1. 1/2" BOLT CAP	[2PCS]
[1PCS]		A2. 1/2"x3 1/4" HEX HEAD BOLT	D2. 2"x2" FOOT CAP (E4010)	[3PCS]
[10PCS]		A3. 1/2"x3" HEX HEAD BOLT	D3. 2"x2"x1.8t END CAP (E4001)	[18PCS]
[2PCS]		A4. 3/8"x7 1/4" HEX HEAD BOLT	D4. 1 3/4"x1 3/4" END CAP (E4002)	[1PCS]
[5PCS]		A5. 3/8"x2 3/4" HEX HEAD BOLT	D5. 2"x4" END CAP (E4049)	[3PCS]
[2PCS]		A6. 3/8"x2 1/2" HEX HEAD BOLT	D6. ø110mm PULLEY (E4014)	[21PCS]
[5PCS]		A7. 3/8"x1 3/4" HEX HEAD BOLT	D7. ø75mm PULLEY (E4033)	[1PCS]
[10PCS]		A8. 3/8"x1 1/2" HEX HEAD BOLT	D8. 60X45mm NYLON BUSHING (E4008)	[2PCS]
[1PCS]		A9. 3/8"x1" HEX HEAD BOLT	D9. 38X38mm RUBBER PAD (E2006)	[2PCS]
[2PCS]		A10. 5/16"x5" HEX HEAD BOLT	D10. ø2 1/2" RUBBER DOUNT (E2010)	[2PCS]
[6PCS]		A11. 5/16"x2 3/4" HEX HEAD BOLT	D11. 2"x2" NYLON BUSHING (E2009)	[1PCS]
[1PCS]		A12. STEEL CHAIN	D12. STEEL BUSHING (E4024)	[10PCS]
[1PCS]		A13. 10BL PIN	D13. ø4"x8" FOAM ROLLER (F4001)	[6PCS]
[15PCS]		B1. 1/2" NYLON LOCK NUT	D14. 2"x2"xø33 END CAP (E4004)	[2PCS]
[24PCS]		B2. 3/8" NYLON LOCK NUT	D15. 95X140mm NO-SLIP TAPE (E5024)	[2PCS]
[1PCS]		B3. 1/2" LOCK NUT	D16. ø1"x34X135 RUBBER GRIP (E4068)	[4PCS]
[8PCS]		C1. 1/2" (I.D)WASHER	D17. ø1"x41X135 RUBBER GRIP (E4082)	[8PCS]
[11PCS]		C2. 3/8" (I.D)WASHER	D18. PULLEY WHEEL BLOCK (E4053)	[3PCS]
[8PCS]		C3. 5/16" (I.D)WASHER	D19. WEIGHT SELECTOR BAR (F5014)	[1PCS]
[8PCS]		C4. 5/16" SPRING WASHER	D20. ø8mm SPRING SNAP LINK (E5000)	[5PCS]
[2PCS]		C5. 1/2" ROUND END CAP WASHER	D21. ø5/8" STEEL BUSHING (E10116)	[4PCS]
			D22. ø1" ROUND END CAP (E4012)	[6PCS]
			D23. 4010mm STEEL CABLE	[1PCS]
			D24. 7580mm STEEL CABLE	[1PCS]
			D25. 1640mm STEEL CABLE	[1PCS]
			D26. 1500mm STEEL CABLE	[1PCS]
			D27. 950mm STEEL CABLE	[1PCS]
			D28. 2"x2"x2.5t END CAP (E4043)	[4PCS]
			D29. CHROME TOP PLATE (F5064)	[1PCS]



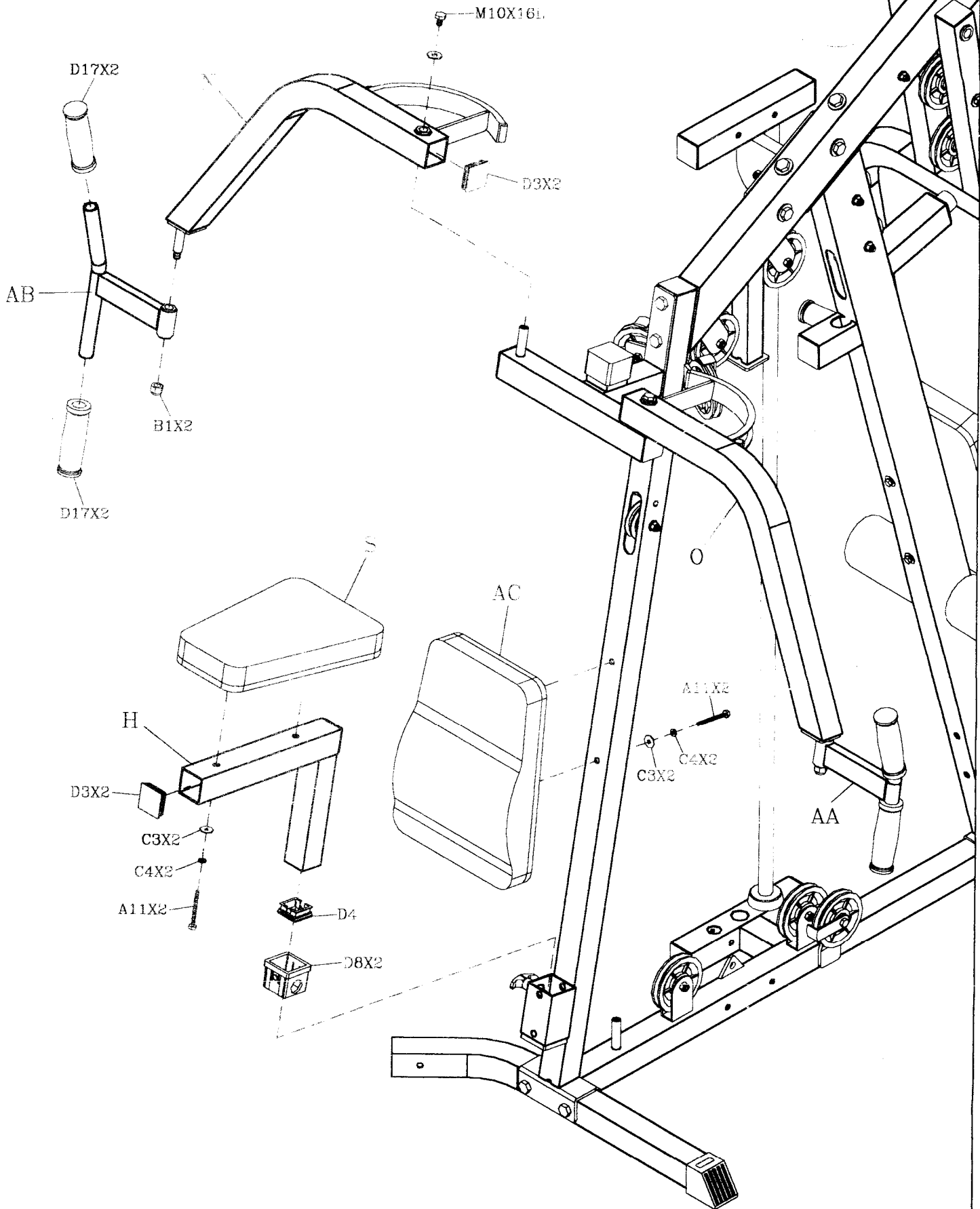
EXM-2500D PARTS ILLUSTRATION SHEET

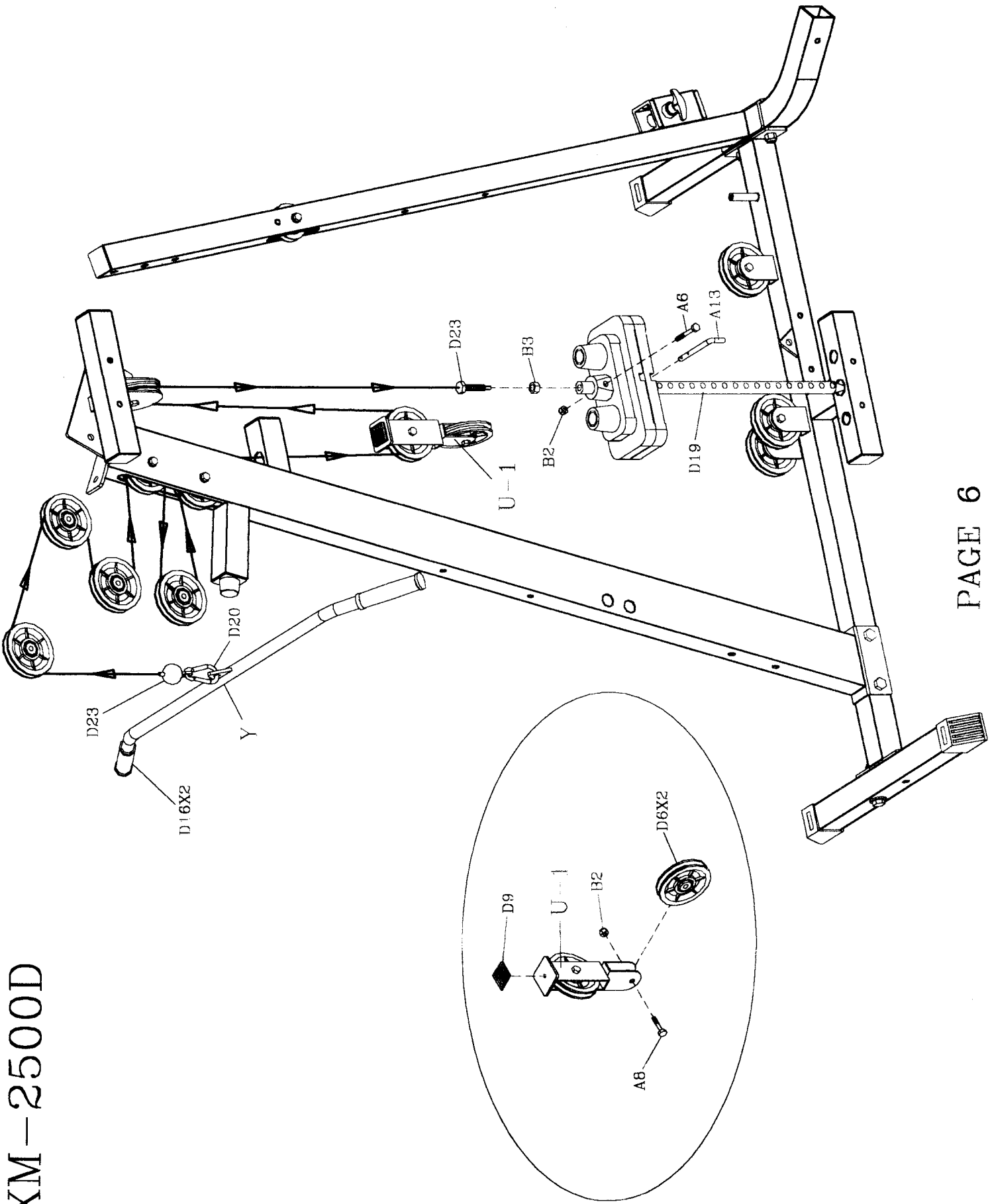
A [1PCS]	B [1PCS]	E [1PCS]	F [1PCS]	M [1PCS]	R [1PCS]	S [1PCS]	AC [2PCS]
C [1PCS]	H [1PCS]	I [1PCS]	L [1PCS]	T [1PCS]	AA [1PCS]	AB [1PCS]	AA [1PCS]
D [1PCS]	J [1PCS]	K [1PCS]	O [1PCS]	P [1PCS]	V [1PCS]	W [1PCS]	W [1PCS]
G [1PCS]	N [1PCS]	X [2PCS]	U [2PCS]	U-1 [1PCS]	Y [1PCS]	Q [3PCS]	Q [3PCS]

EXM-2500D

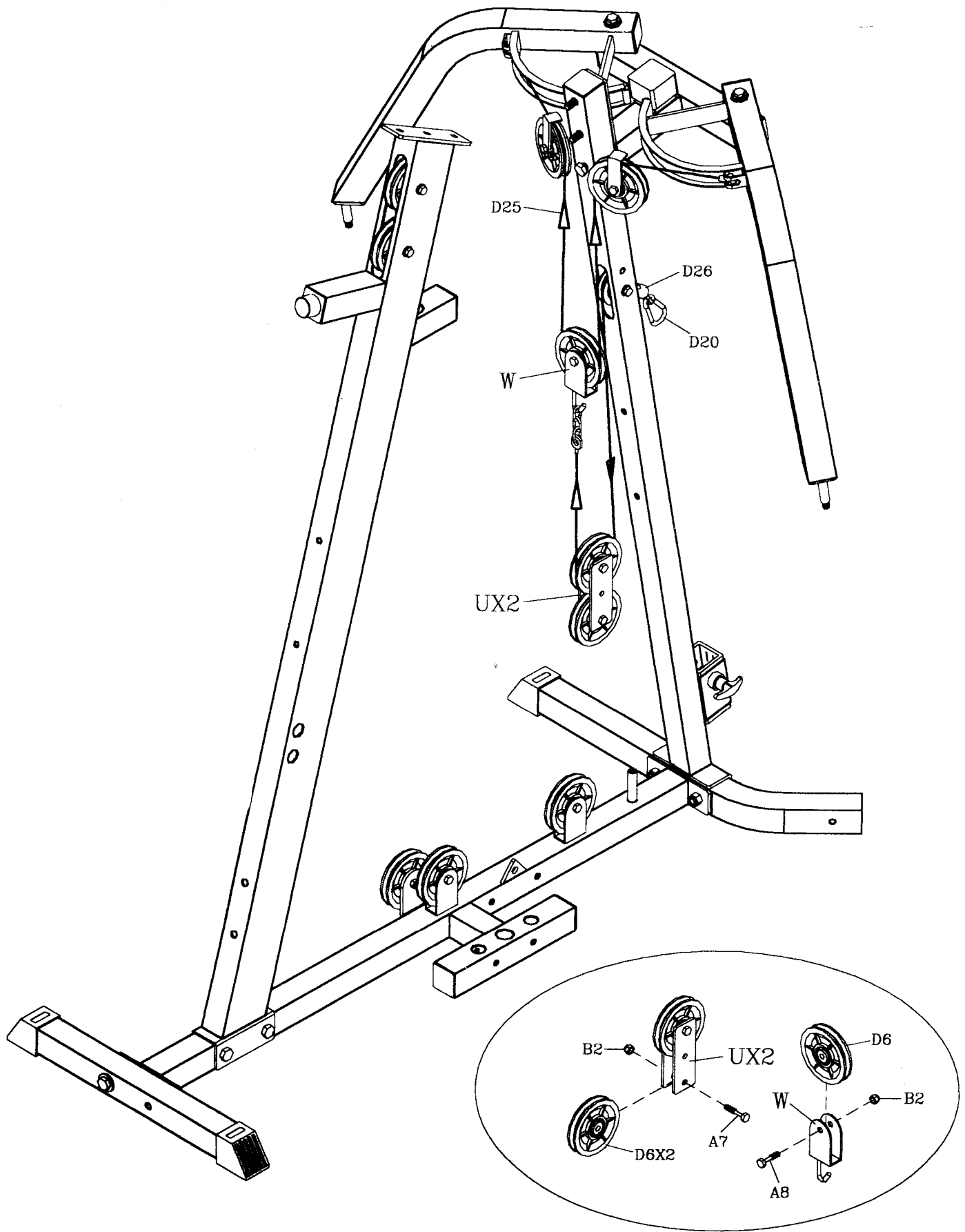


EXM-2500D

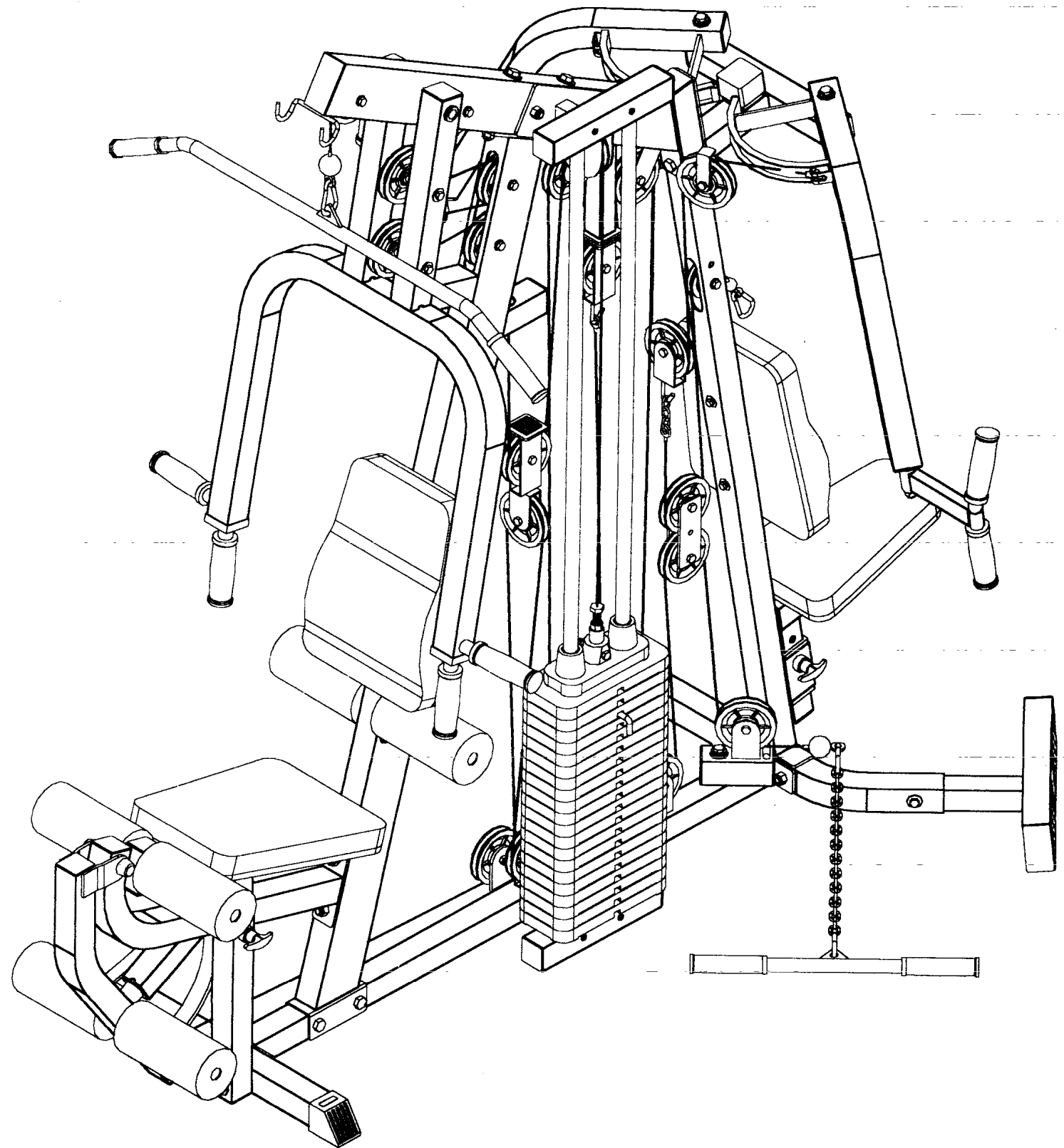




EXM-2500D



EXM-2500D



VERSION 9804