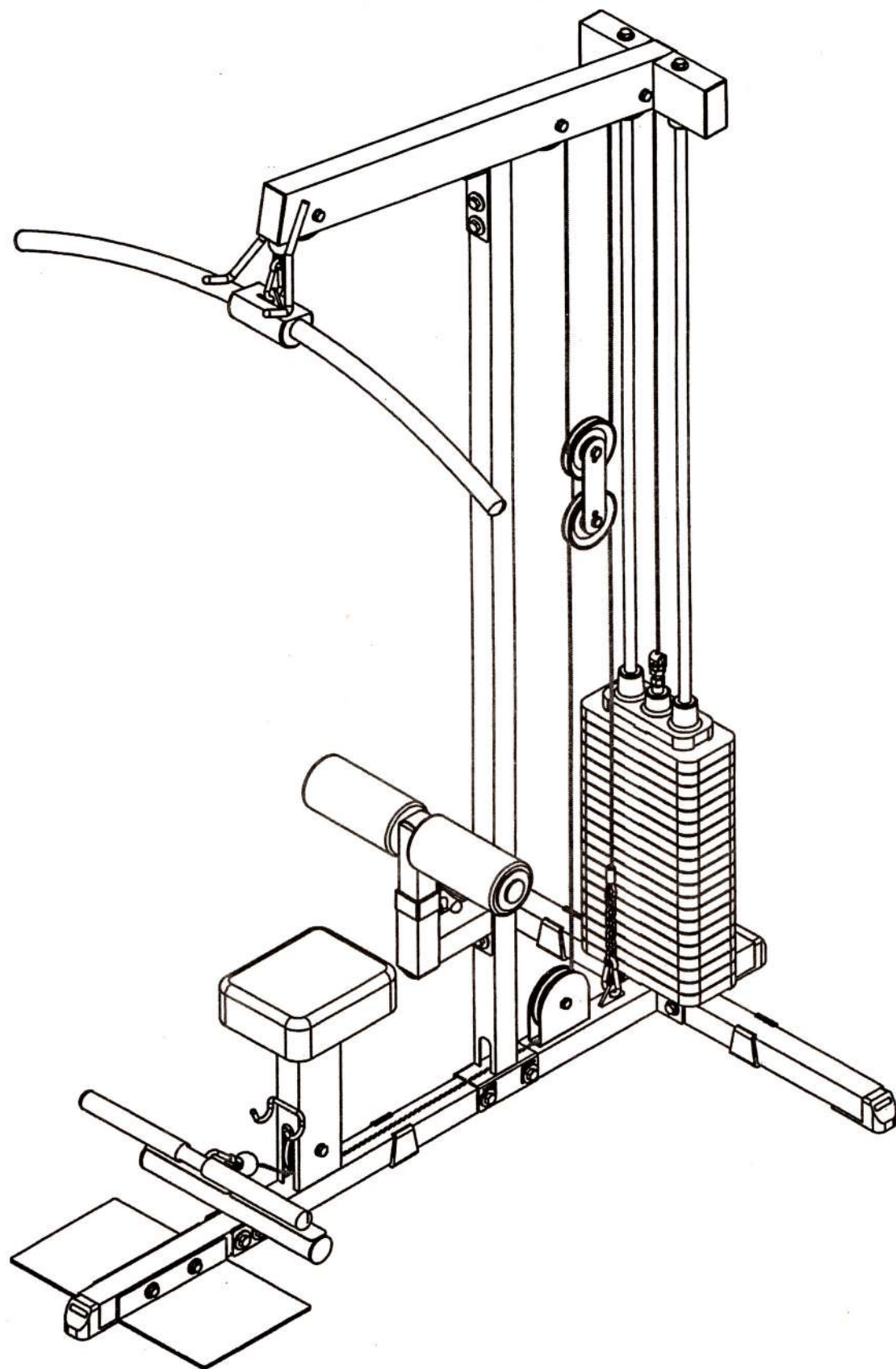
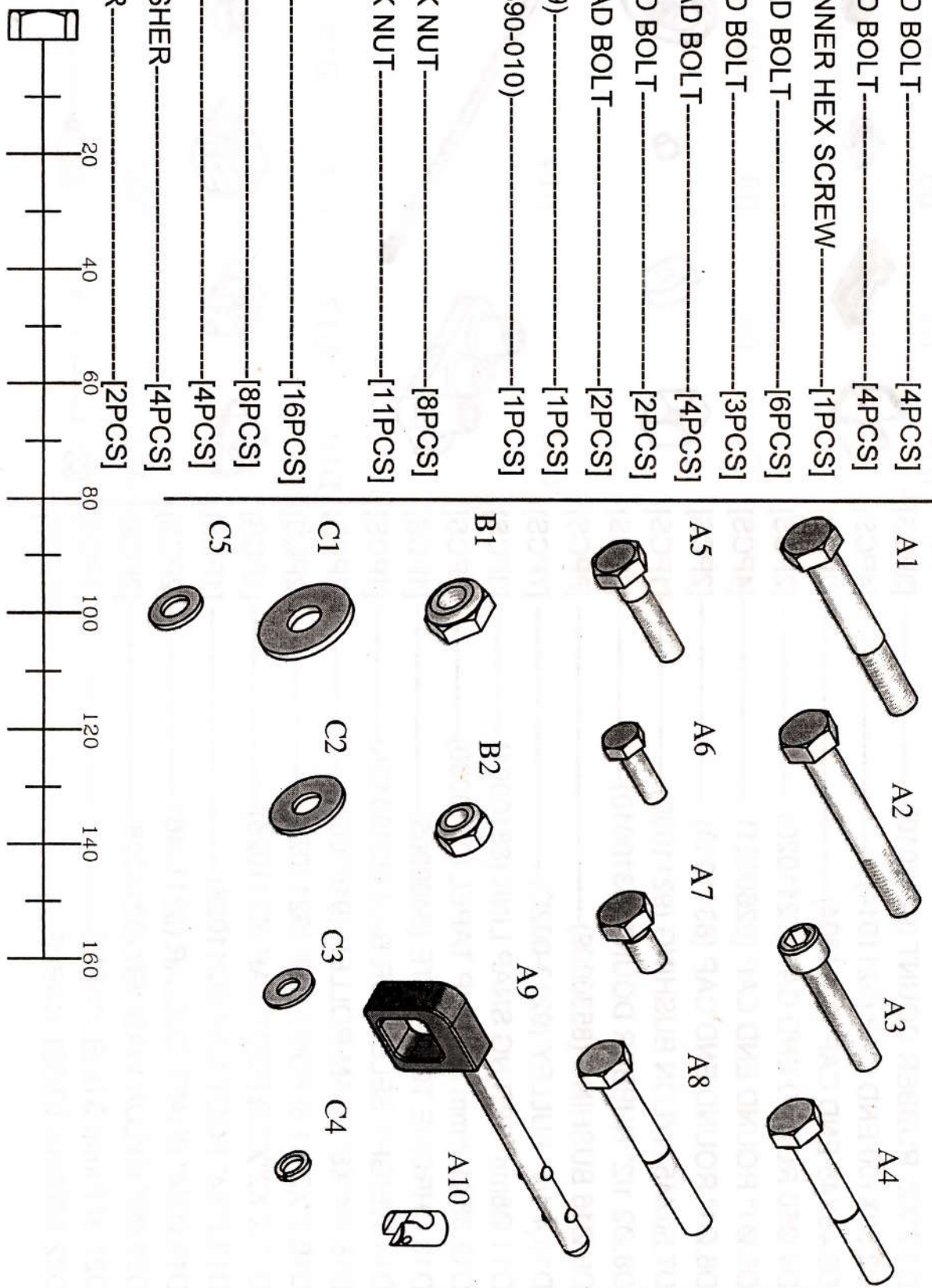


LM-84.4



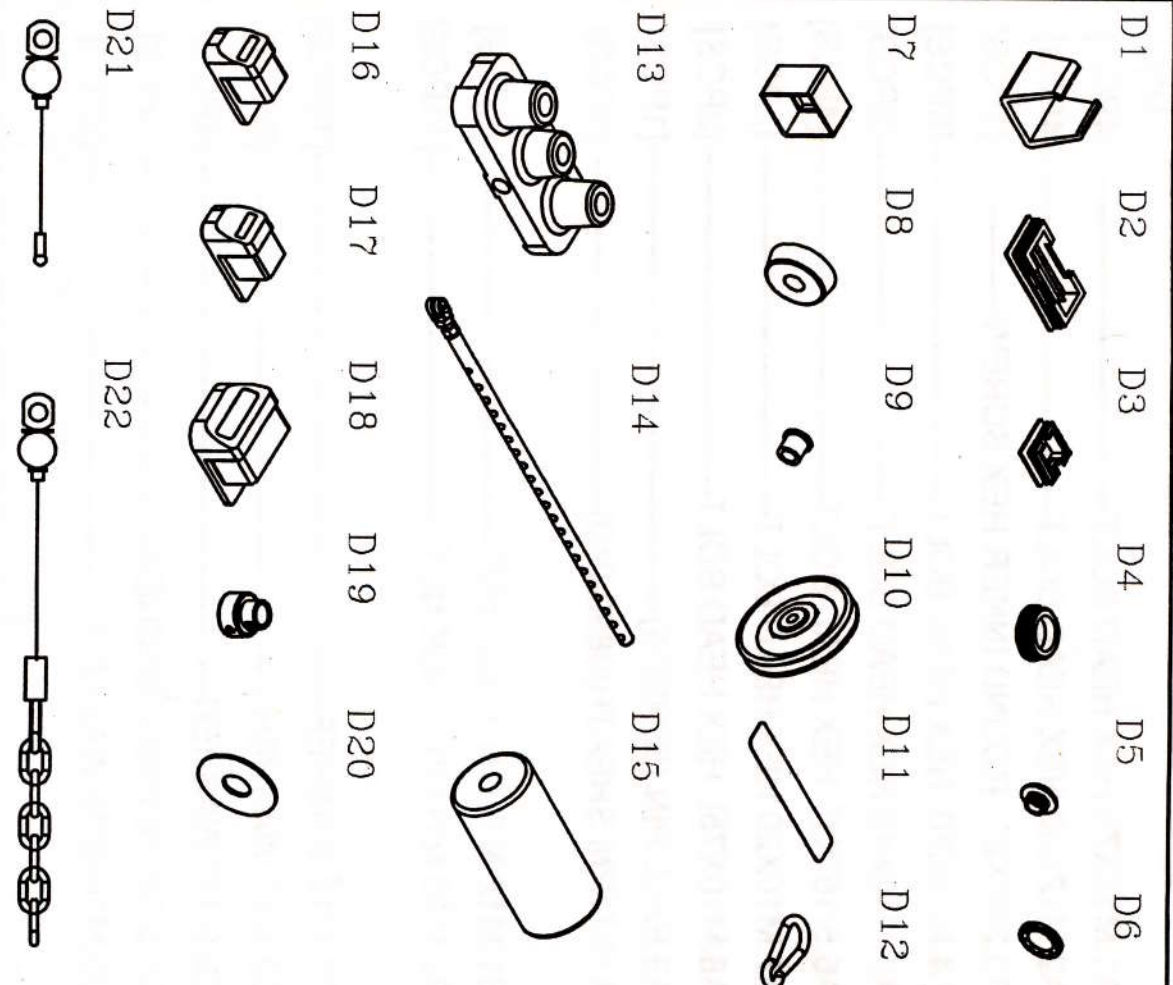
VERSION 0703

	Qty.
A1.M12X75 HEX HEAD BOLT	[4PCS]
A2.M12X80 HEX HEAD BOLT	[4PCS]
A3.3/8"X2" ROUND INNER HEX SCREW	[1PCS]
A4.M10X70 HEX HEAD BOLT	[6PCS]
A5.M10X40 HEX HEAD BOLT	[3PCS]
A6.5/16"X1" HEX HEAD BOLT	[4PCS]
A7.M10X20 HEX HEAD BOLT	[2PCS]
A8.M10X75L HEX HEAD BOLT	[2PCS]
A9.BALL PIN (8250019)	[1PCS]
A10.FIRM SHEATH(8890-010)	[1PCS]
B1.M12 NYLON LOCK NUT	[8PCS]
B2.M10 NYLON LOCK NUT	[11PCS]
C1.M12 WASHER	[16PCS]
C2.M10 WASHER	[8PCS]
C3.5/16" WASHER	[4PCS]
C4.5/16" SPRING WASHER	[4PCS]
C5.M10XØ19 WASHER	[2PCS]

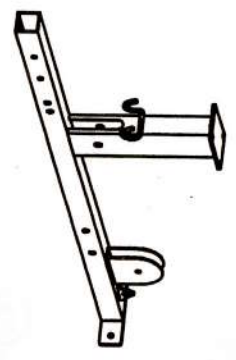


LM-84.4 HARDWARE ILLUSTRATION SHEET

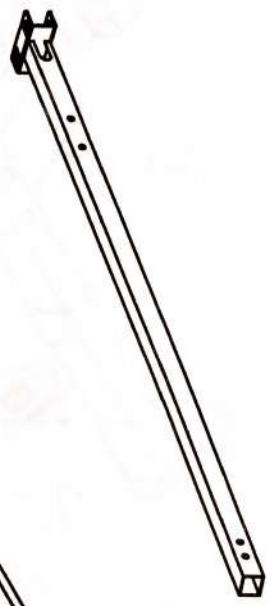
Part No.	Description	Qty.
D1.2"	X2" RUBBER DOUNT (9212010)-----	[3PCS]
D2.50X100	END CAP (9211014)-----	[4PCS]
D3.45X45	END CAP (9211004)-----	[2PCS]
D4.Ø50	ROUND END CAP (9211020)-----	[2PCS]
D5.Ø1"	ROUND END CAP (9260021)-----	[4PCS]
D6.Ø1"	ROUND END CAP (8341033)-----	[2PCS]
D7.50X45	NYLON BUSHING (9211030)-----	[1PCS]
D8.Ø2 1/2"	RUBBER DOUNT (9310010)-----	[2PCS]
D9.Ø16	BUSHING (8530009)-----	[8PCS]
D10.4 1/4"	PULLEY (9213-002C)-----	[7PCS]
D11.Ø8mm	SPRING SNAP LINK (8810001)-----	[3PCS]
D12.38X195mm	NO SLIP TAPEL (9310030)-----	[2PCS]
D13.	CHROME TOP PLATE (8400005)-----	[1PCS]
D14.	WEIGHT SELECROR BAR (8210042A)-----	[1PCS]
D15.Ø4"X8"	FOAM ROLLER (9161009)-----	[2PCS]
D16.2"X2"X1.8t	FOOT CAP (9211024)-----	[2PCS]
D17.2"X2"X2.5t	FOOT CAP (9211025)-----	[1PCS]
D18.2"X4"X4"	FOOT CAP (9211028)-----	[1PCS]
D19.Ø3/4"	SHAFT COLLAR (9211046)-----	[2PCS]
D20.Ø3"	NYLON WASHER (9214008)-----	[2PCS]
D21.2770mm	STEEL CABLE-----	[1PCS]
D22.3670mm	STEEL CABLE-----	[1PCS]



A [1PCS]



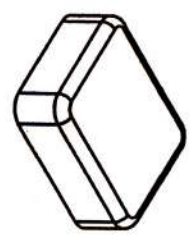
C [1PCS]



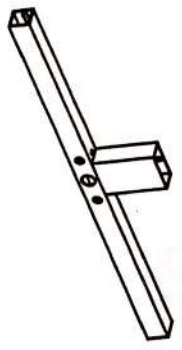
F [2PCS]



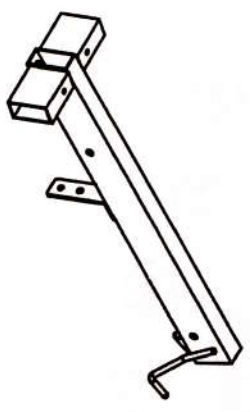
N [1PCS]



B [1PCS]



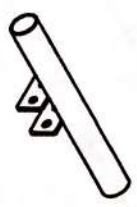
D [1PCS]



E [1PCS]



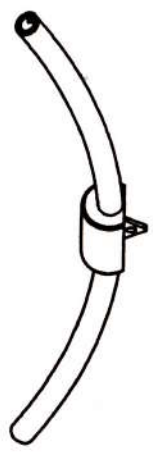
G [1PCS]



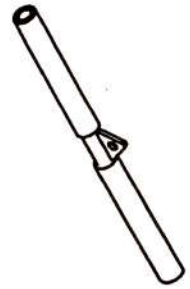
H [2PCS]



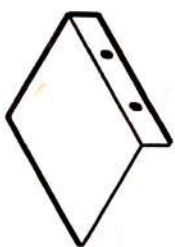
I [1PCS]



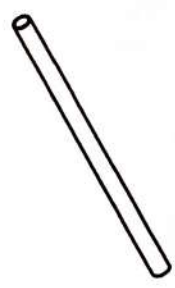
J [1PCS]



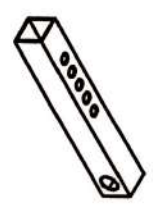
K [2PCS]

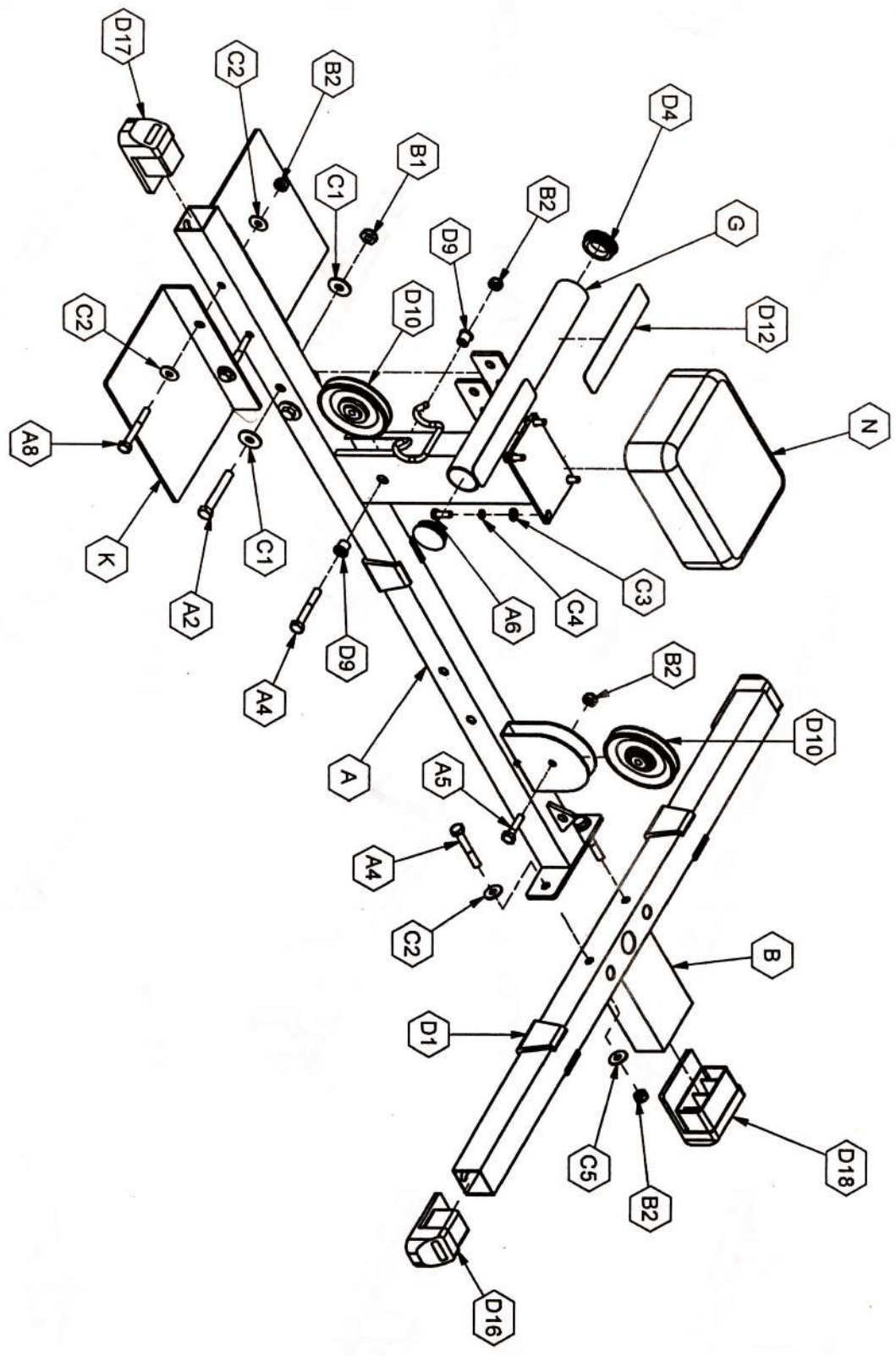


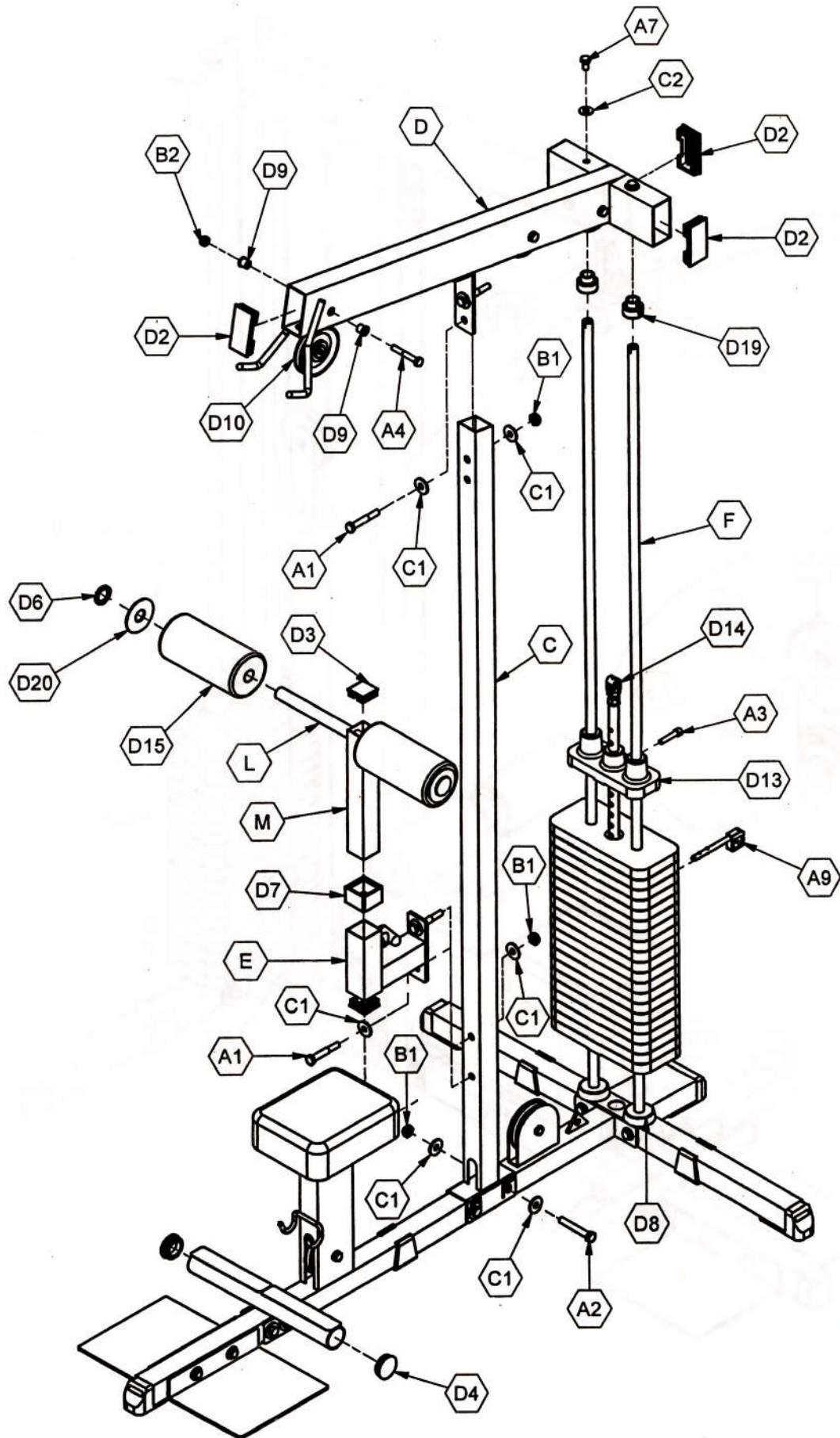
L [1PCS]



M [1PCS]







LM-84.4

