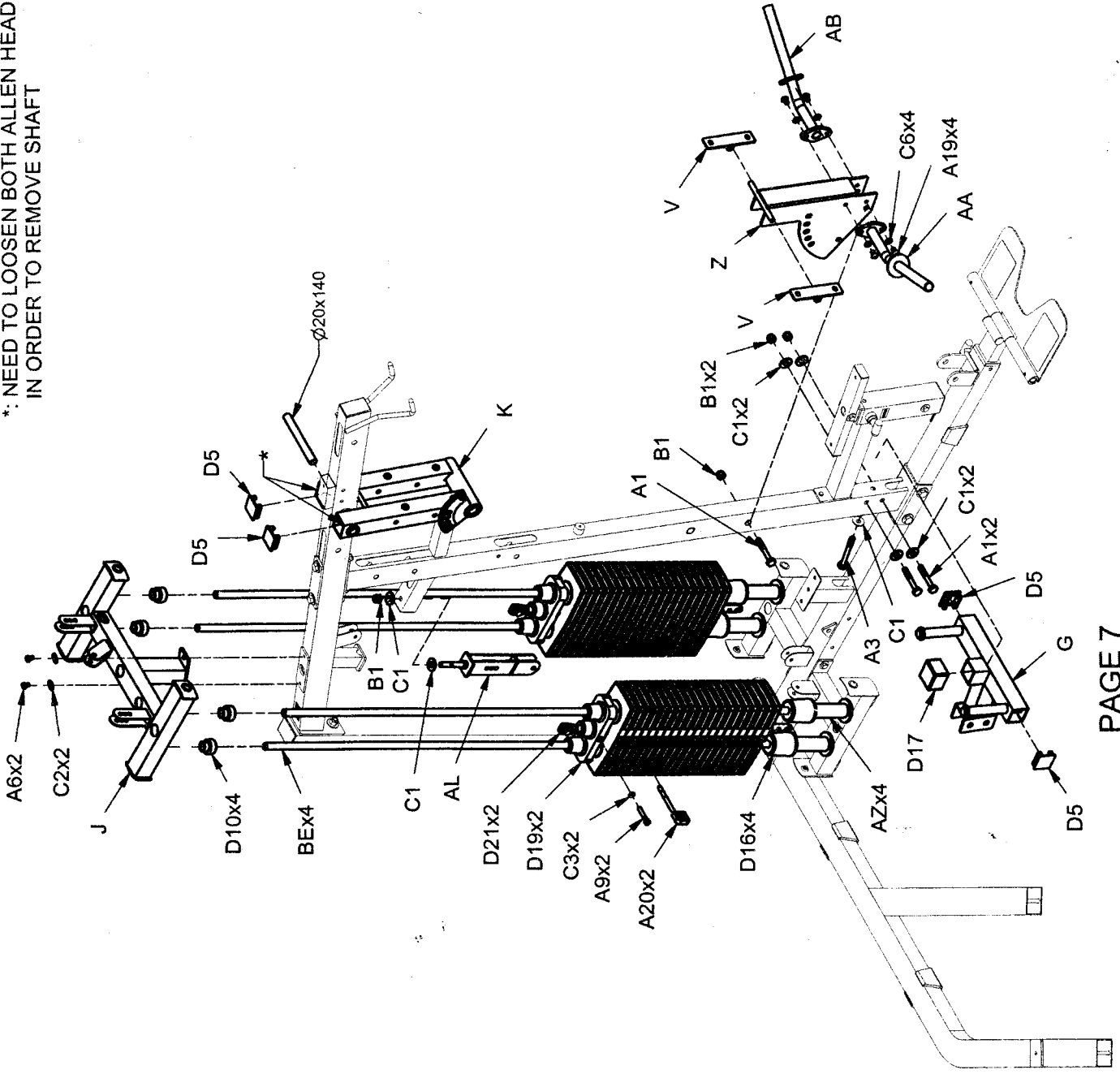
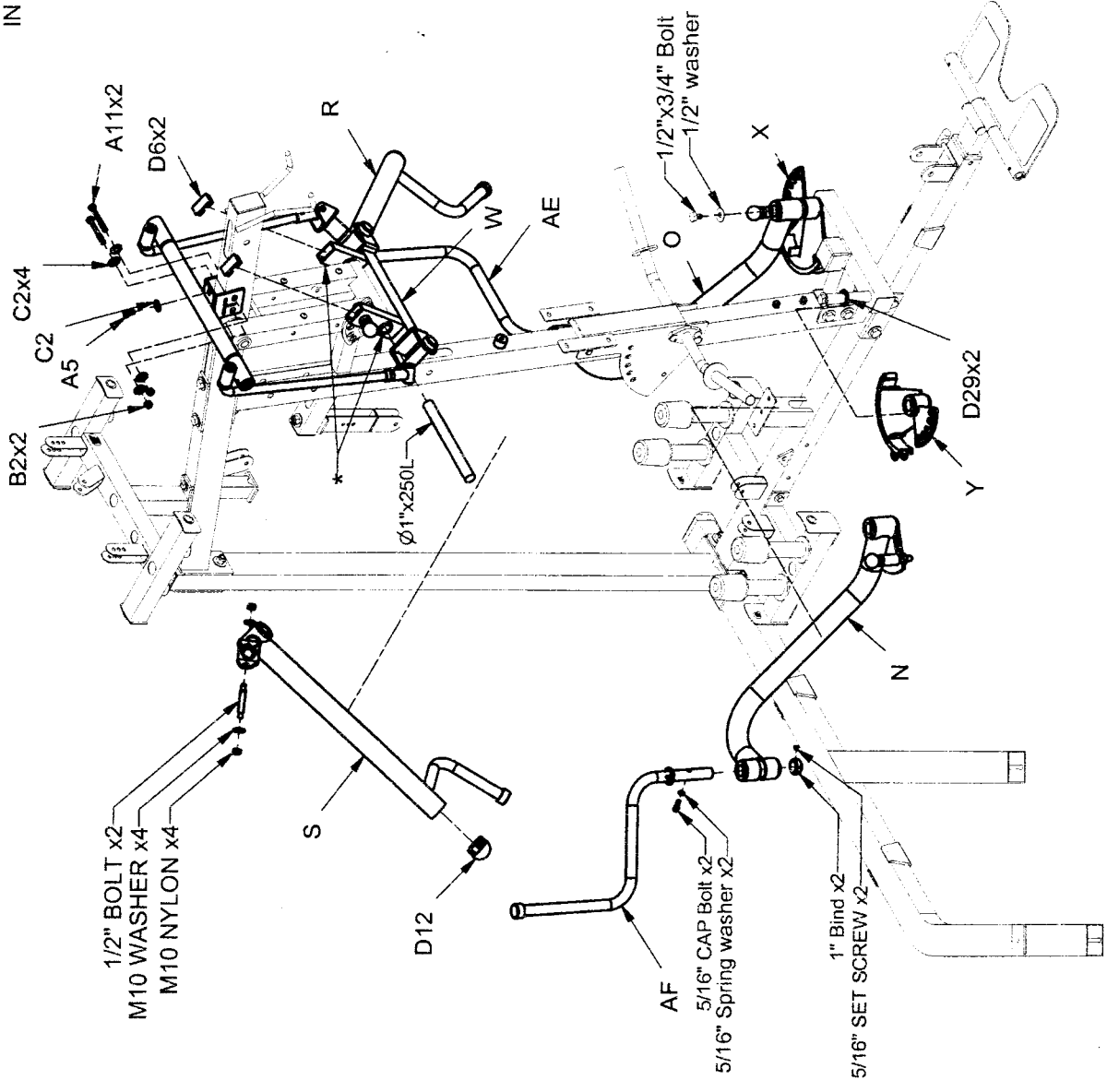
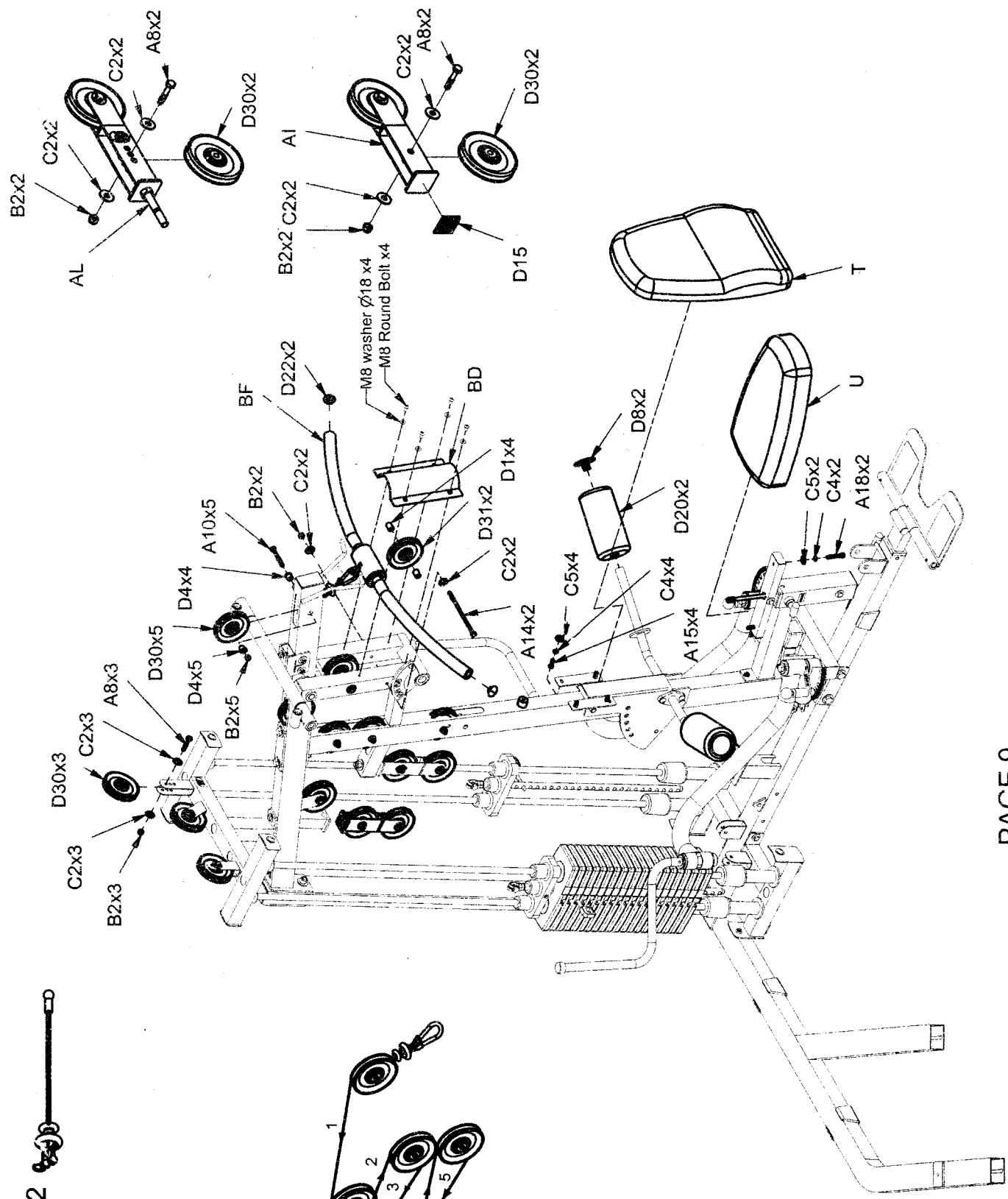
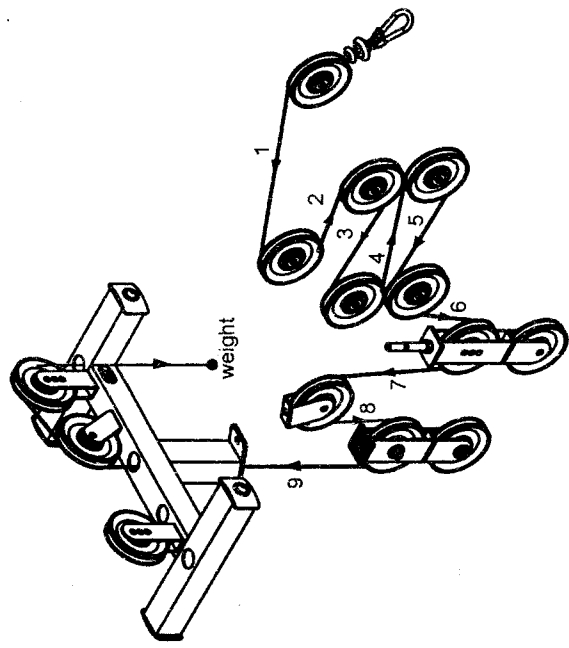


\*: NEED TO LOOSEN BOTH ALLEN HEAD BOLT  
IN ORDER TO REMOVE SHAFT

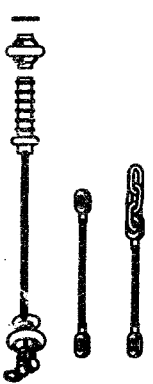


\* : NEED TO LOOSEN BOTH ALLEN HEAD BOLT  
IN ORDER TO REMOVE SHAFT

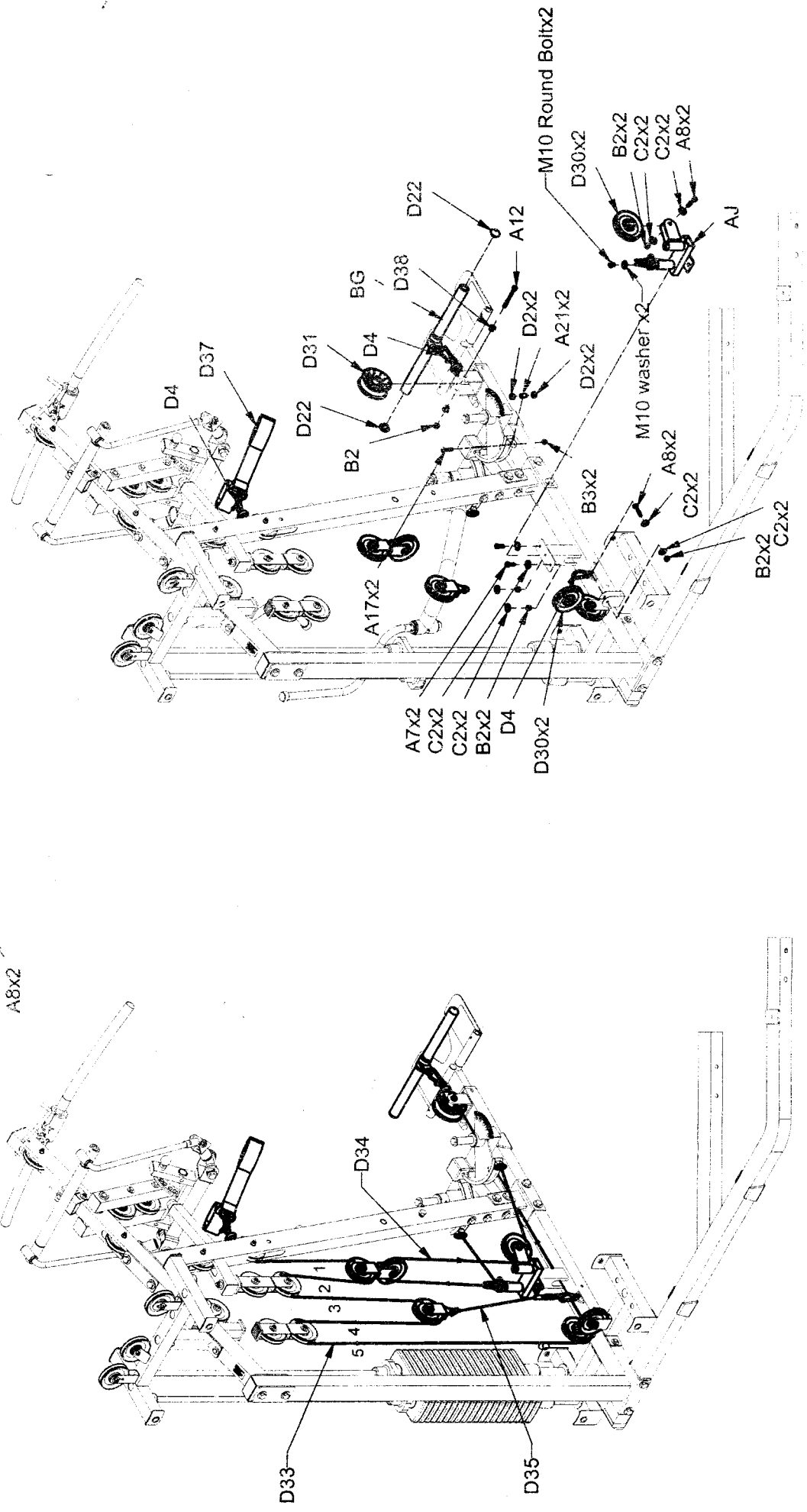
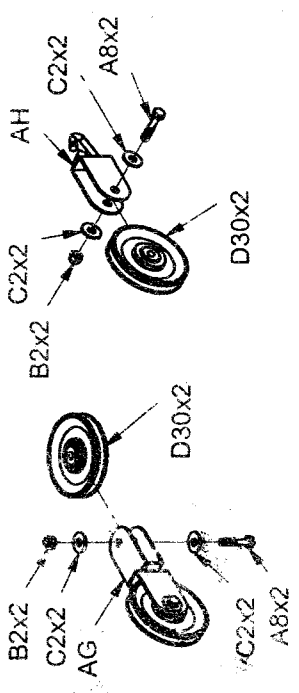


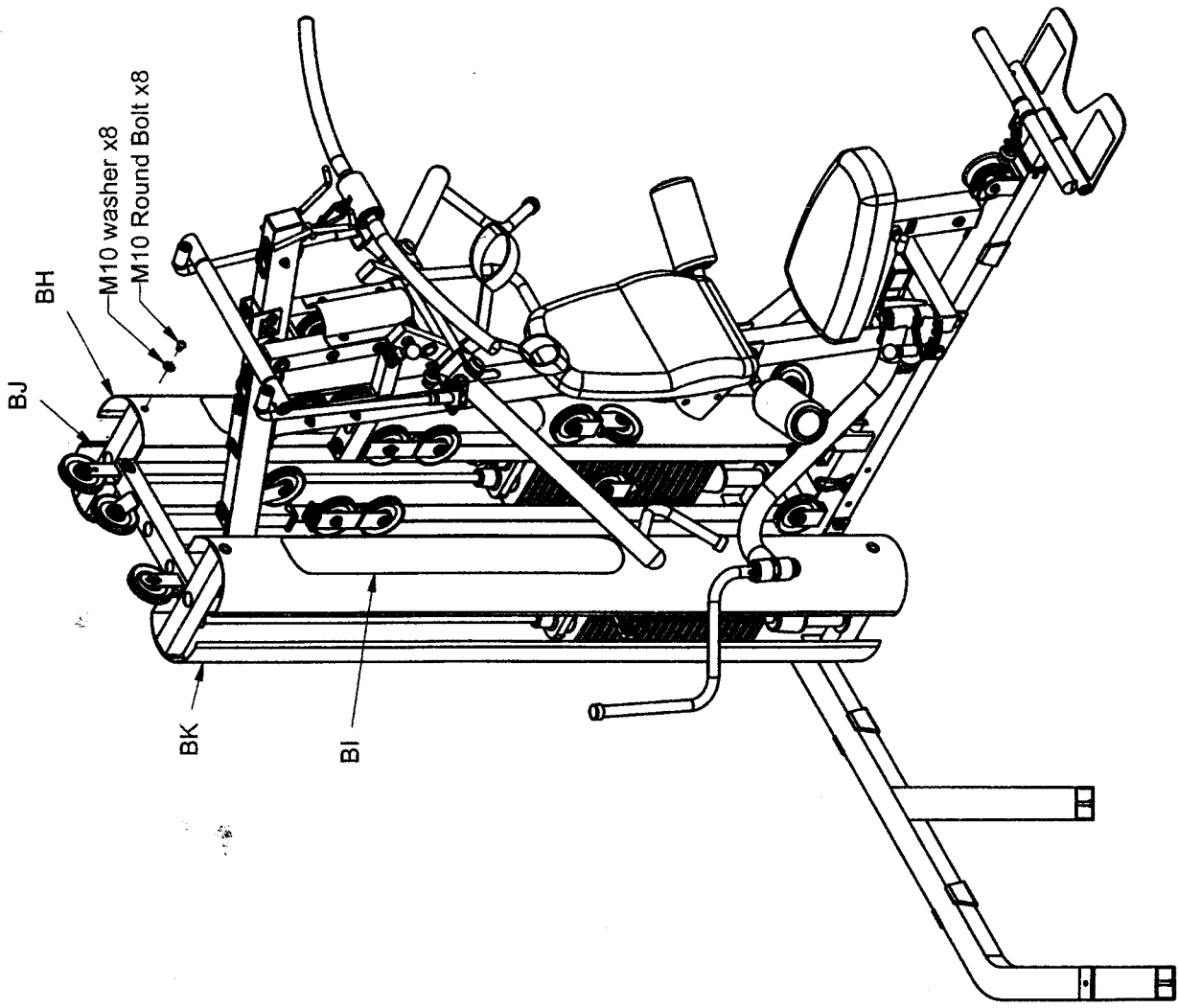


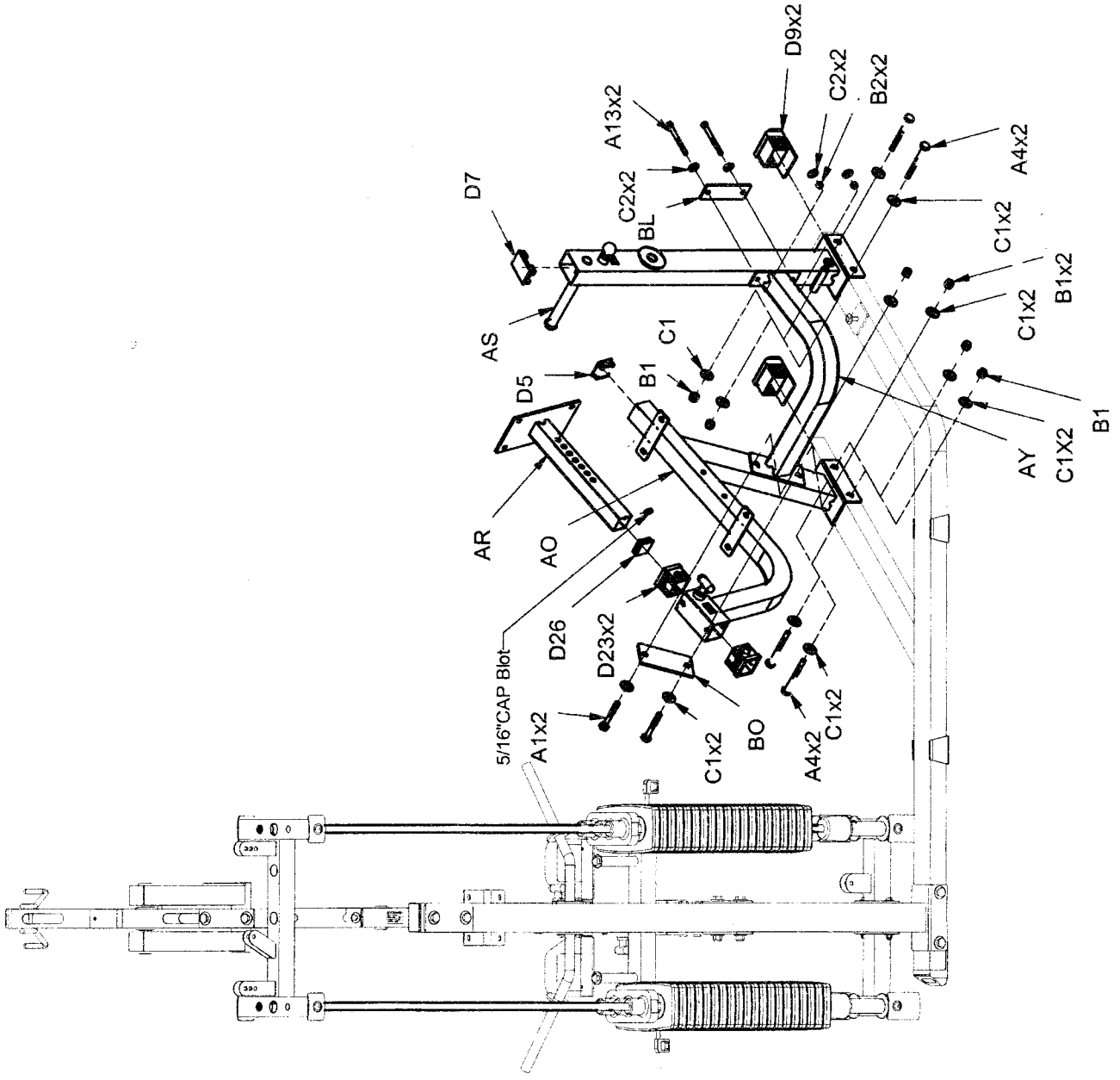
EXM-3750.1-122003



D33  
D34  
D35







\*: NEED TO LOOSEN ALLEN HEAD BOLT  
IN ORDER TO REMOVE SHAFT

