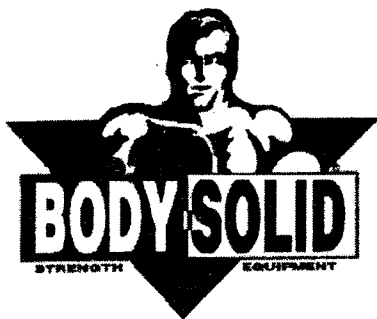
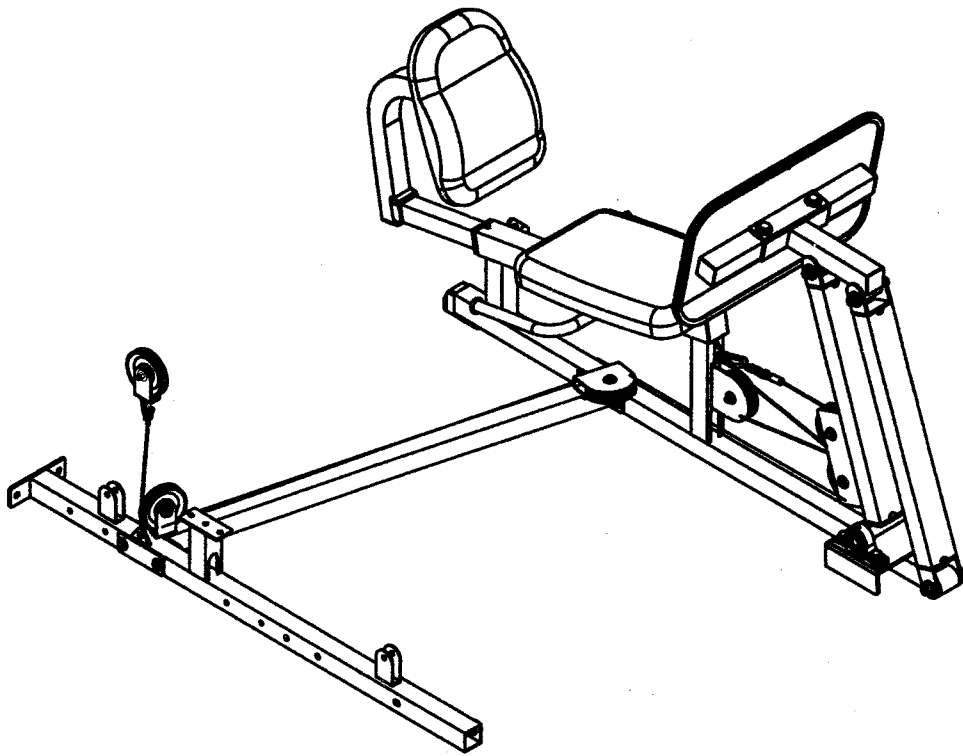


Body-Solid

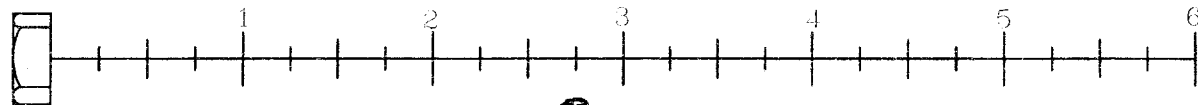
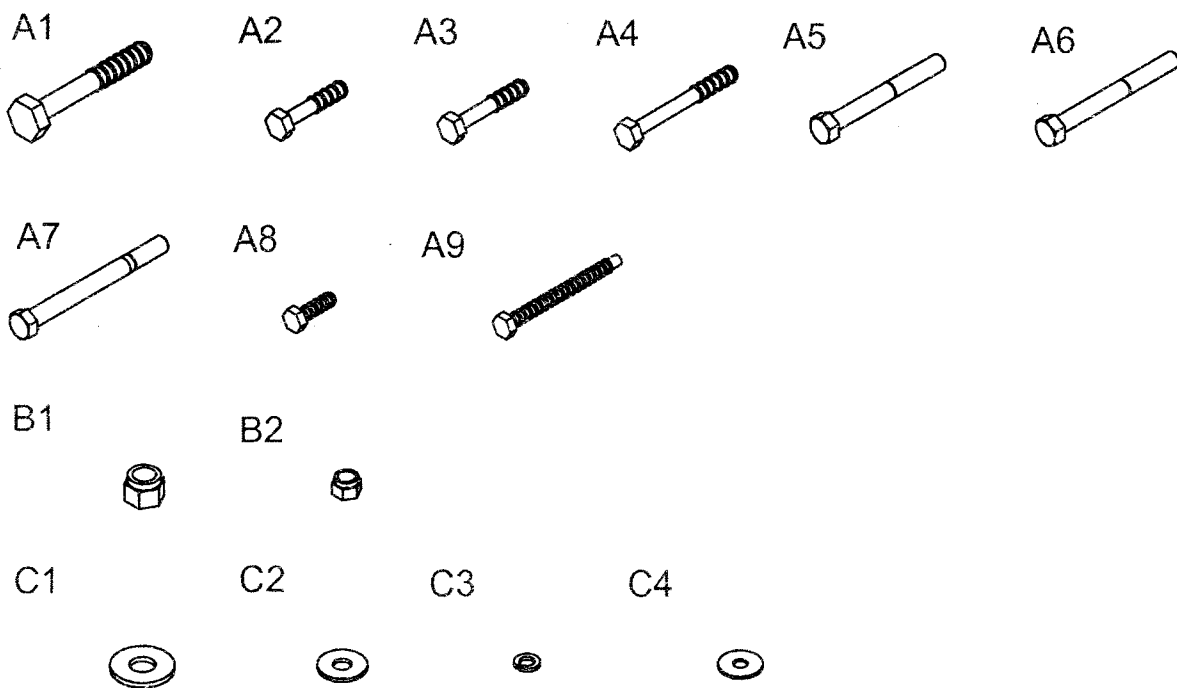


LP-375 OWNER'S MANUAL

LP-375 ASSEMBLY INSTRUCTIONS

HARDWARE ILLUSTRATION

A1.	1/2"X3 1/4"L Hex Head Bolt-----	[2PCS]
A2.	3/8"X1 3/4"L Hex Head Bolt-----	[3PCS]
A3.	3/8"x2"L Hex Head Bolt-----	[2PCS]
A4.	3/8"X3"L Hex Head Bolt-----	[4PCS]
A5.	3/8"X3 1/4"L Hex Head Bolt-----	[2PCS]
A6.	3/8"X3 1/2"L Hex Head Bolt-----	[1PCS]
A7.	3/8"X4"L Hex Head Bolt-----	[2PCS]
A8	5/16"X1"L Hex Head Bolt -----	[6PCS]
A9.	5/16"X3 1/4"L Hex Head Bolt -----	[1PCS]
B1.	1/2" Nylon Lock Nut-----	[2PCS]
B2.	3/8" Nylon Lock Nut-----	[12PCS]
C1.	1/2"(I.D.) Washer(Ø34)-----	[4PCS]
C2.	3/8" (I.D.)Washer(Ø27)-----	[24PCS]
C3.	5/16" Spring Washer-----	[7PCS]
C4.	5/16" (I.D.)Washer(Ø24)-----	[7PCS]



LP-375 ASSEMBLY INSTRUCTIONS

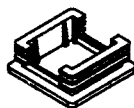
HARDWARE ILLUSTRATION

- D1. $\varnothing 8$ Spring Snap Link (8810-001)-----[1PCS]
- D2. $\square 50 \times 2.5T$ End Cap (9211-006)-----[4PCS]
- D3. 2"x2" Foot Cap (9211-025)-----[1PCS]
- D4. 45X60 Nylon Bushing (9211-047)-----[1PCS]
- D5. $\square 60$ End Cap (9211-049)-----[1PCS]
- D6. 45X50 Rubber Dount(9212-039)-----[1PCS]
- D7. $\varnothing 1$ Round End Cap (9260-021)-----[2PCS]
- D8. 3965 Steel Cable-----[1PCS]
- D9. $\varnothing 4$ 1/4" Pulley(9213-002C)-----[5PCS]

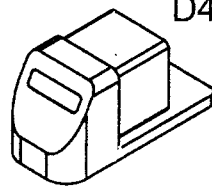
D1



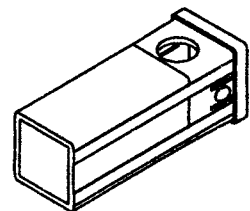
D2



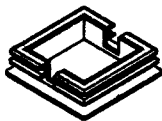
D3



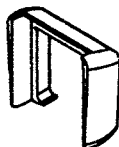
D4



D5



D6



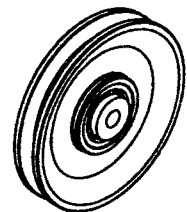
D7



D8

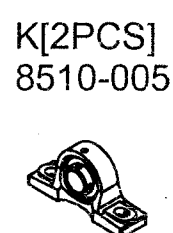
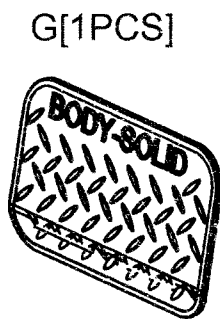
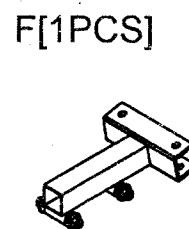
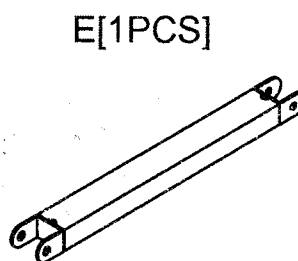
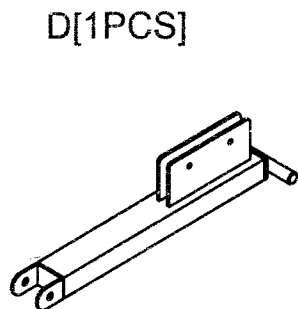
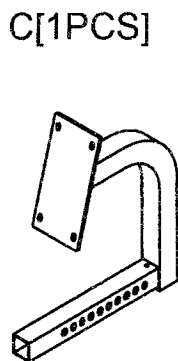
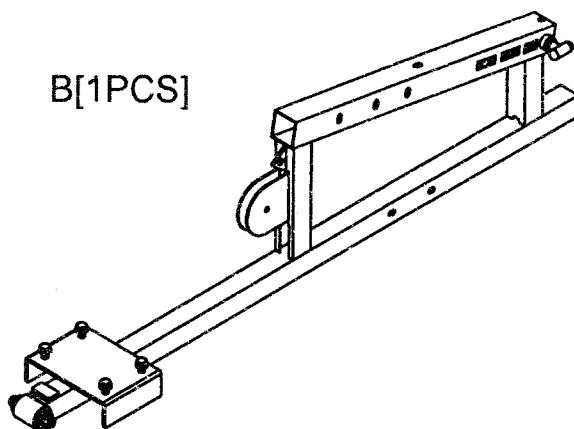
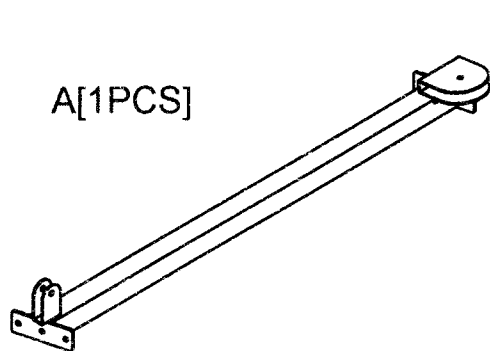


D9



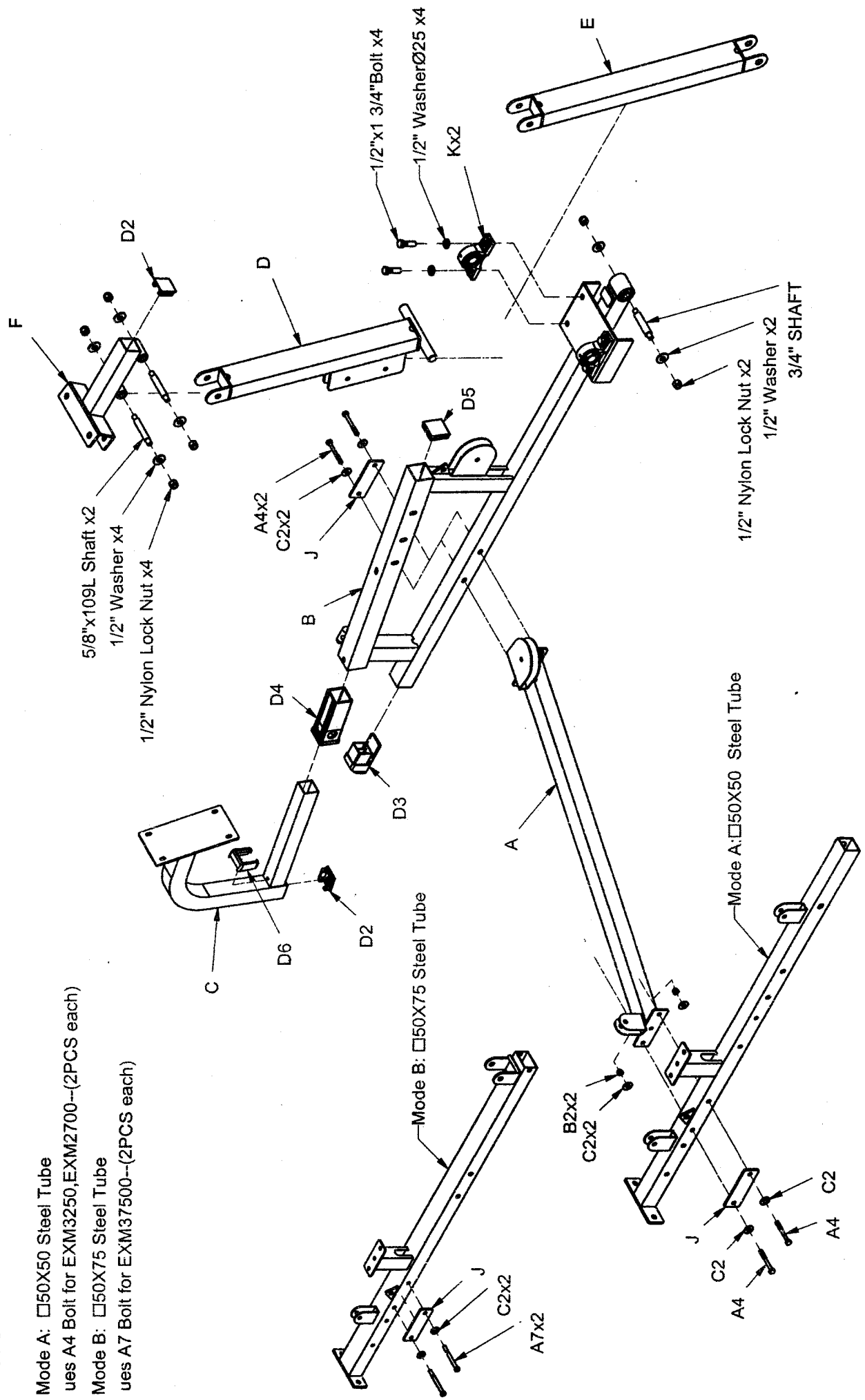
LP-375 ASSEMBLY INSTRUCTIONS

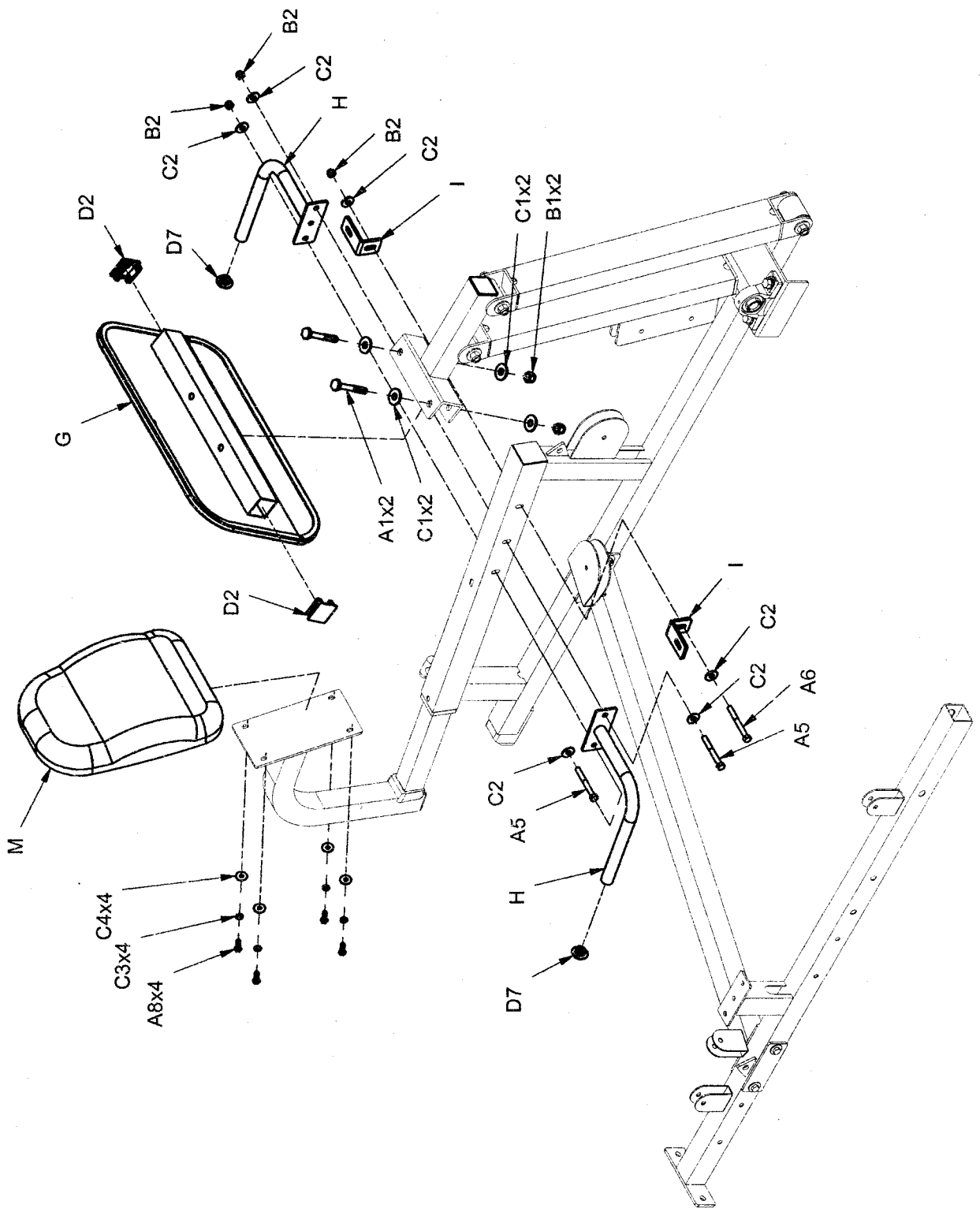
PARTS ILLUSTRATION SHEET

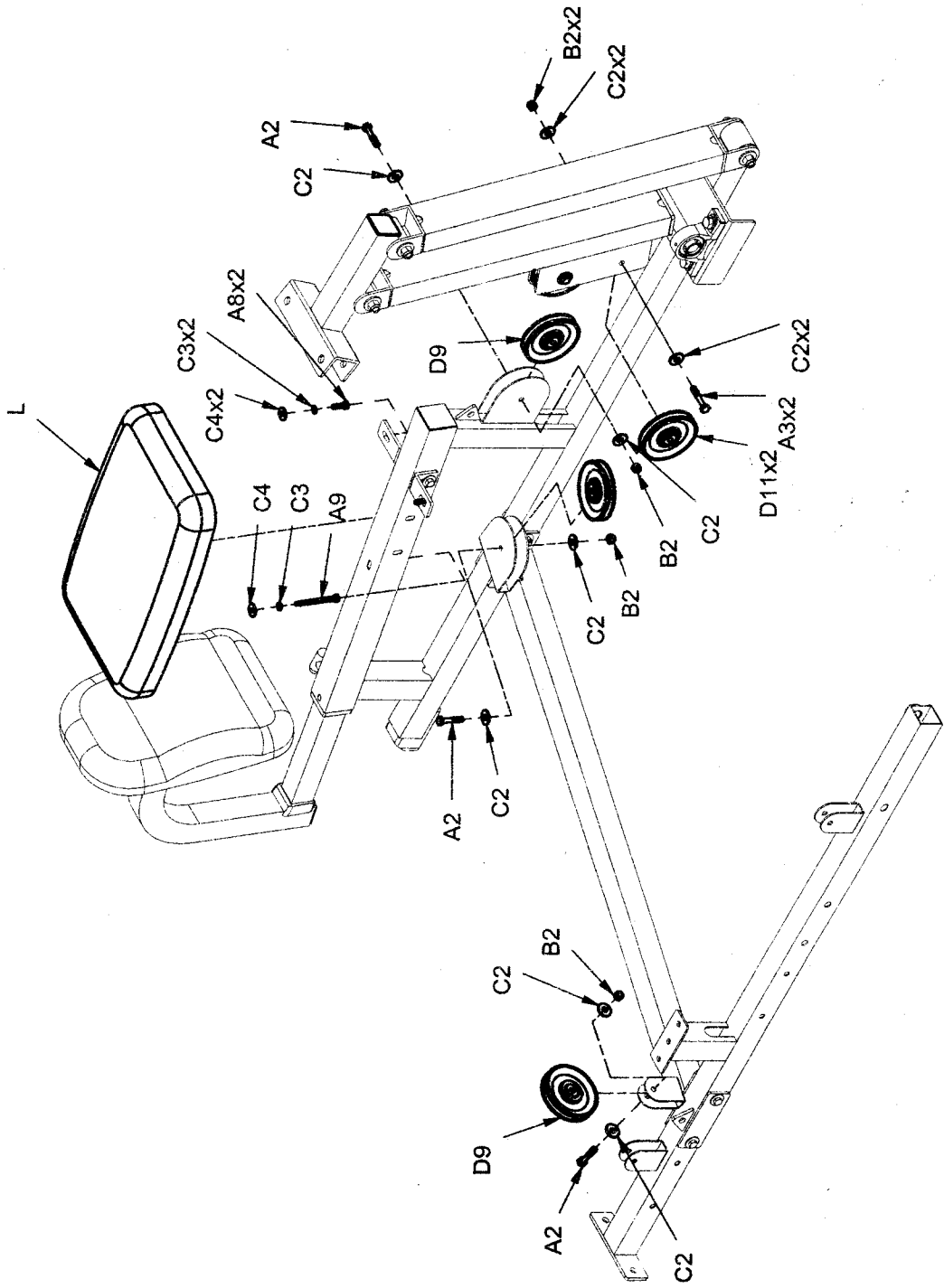


LP-375

IF Mode A: □50X50 Steel Tube
 uses A4 Bolt for EXM3250, EXM2700--(2PCS each)
 IF Mode B: □50X75 Steel Tube
 uses A7 Bolt for EXM37500--(2PCS each)







D10

