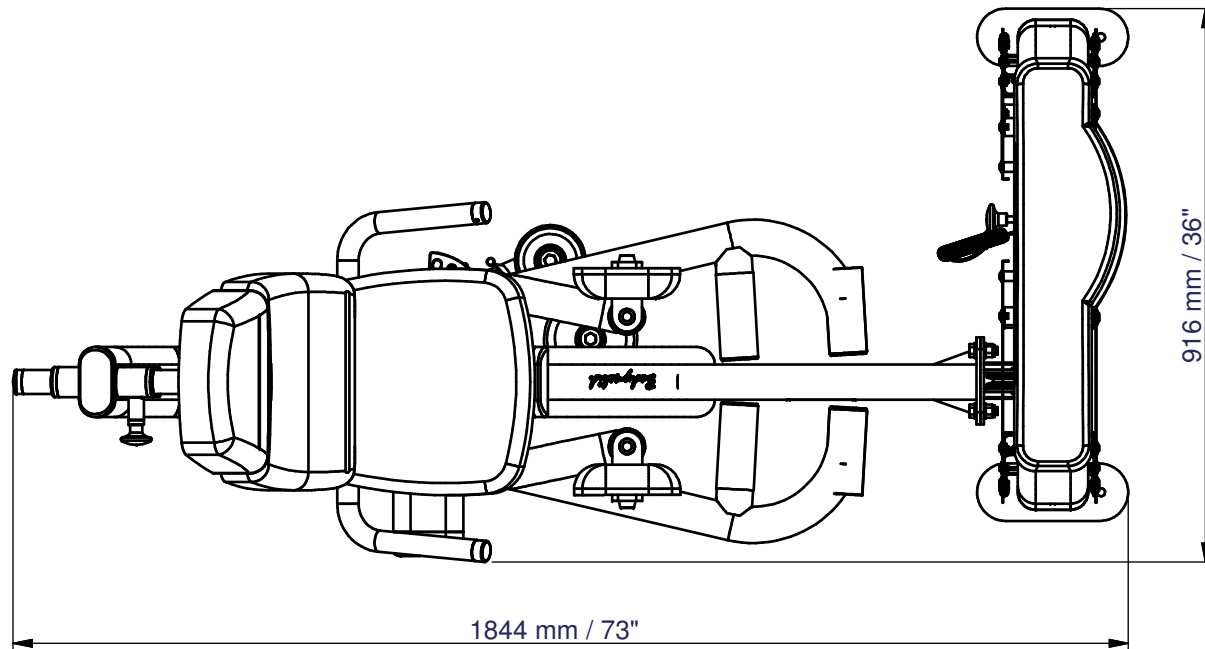


# **BODY-SOLID DIOT-SF**



Floor Space Dimensions : L1844 x W916 x H1606 mm  
Live Working Area : L1970 x W1600 mm