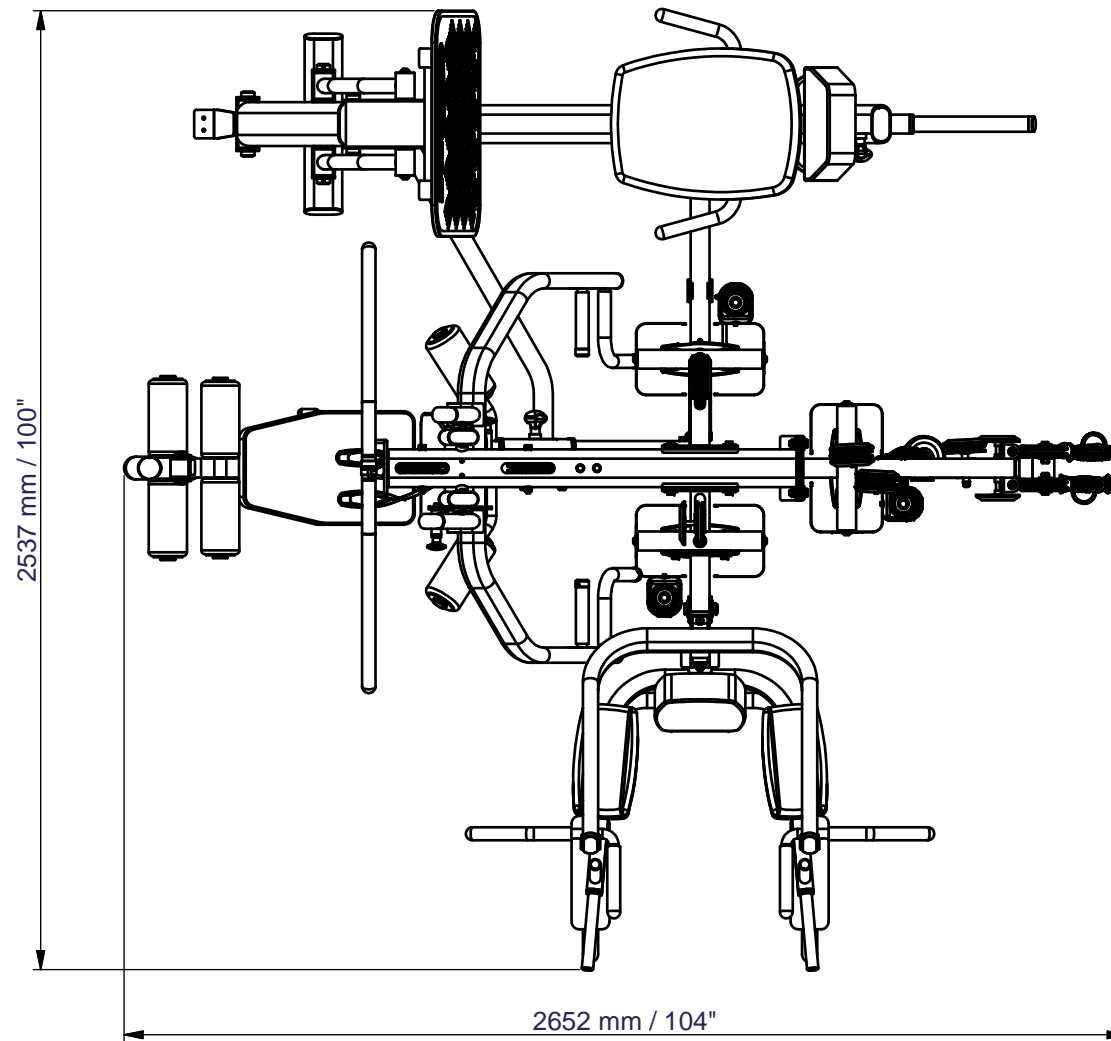


# STEELFLEX MG300B



Floor Space Dimensions: L2652 x W2537 x H2409 mm  
Live Working Area : L2652 x W2537 mm