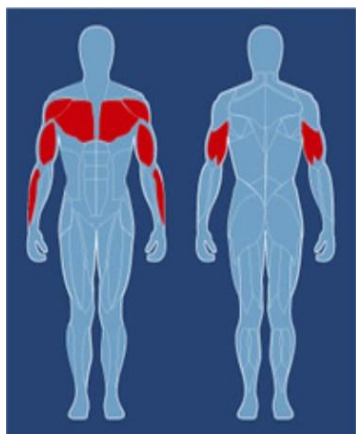
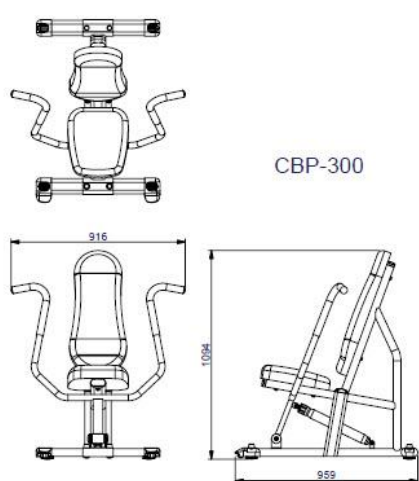


Chest Press Machine (CBP300)



- Chest Press workstation with hydraulic resistance mechanism
- Available in Black or Pumpkin coloured upholstery
- Large non-slip handle bars pitched at the optimum workout angle
- Single hydraulic cylinder provides 6x levels of resistance
- Ideal machine for chest and arm development.
- Unit weight: 35 Kg
- Product Code: CBP300

CBP300 Target Muscle Groups:

Pectorals/Deltoids/Biceps/Triceps/Extensor

- Unit Size: 959 x 916 x 1094 mm (L x W x H)