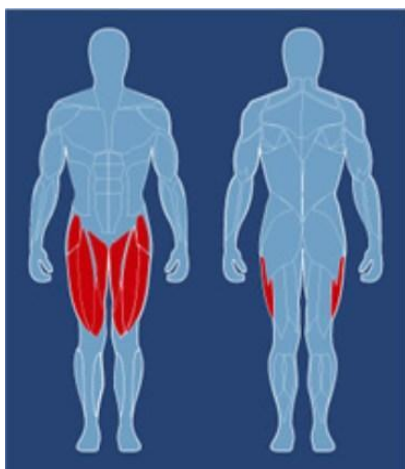
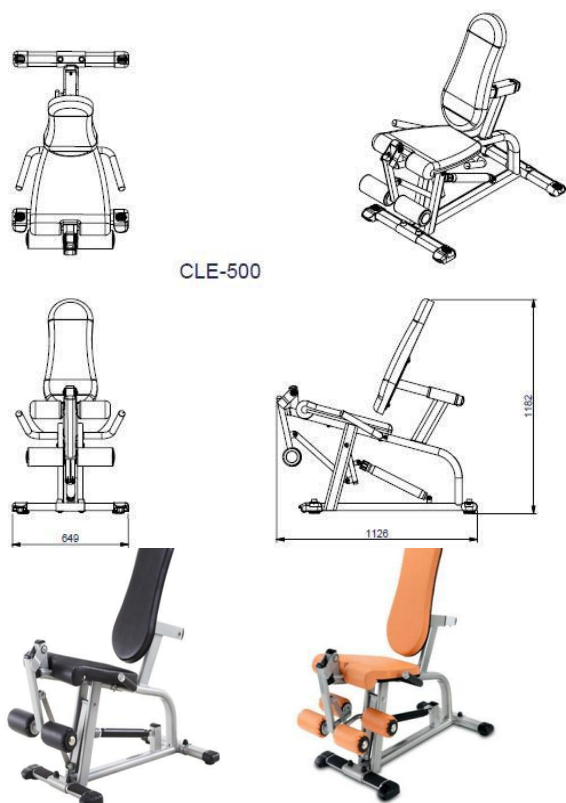


### Leg Extension and Leg Curl Machine (CLE500)



- Leg extension/Leg Curl with hydraulic resistance mechanism
- "Specially designed non-slip side handle bars for extra grip during workout
- "Single hydraulic cylinder provides 6x resistance
- "Leg hold-down bar has oversized upholstered foam rollers providing extra comfort.
- "Back pad fully adjustable
- "Ideal machine for hamstrings and thigh development.
- "Available in Black or Pumpkin coloured upholstery
- "Unit Size: 1126 x 649 x 1182 mm (L x W xH)
- "Unit weight: 40 Kg
- "Product Code: CLE500

**CLE500 Target Muscle Groups: Quadriceps**

**BODY-SOLID UK • NORTH WEALD, ESSEX CM16 6AA**

**Tel: 0871 200 2477**