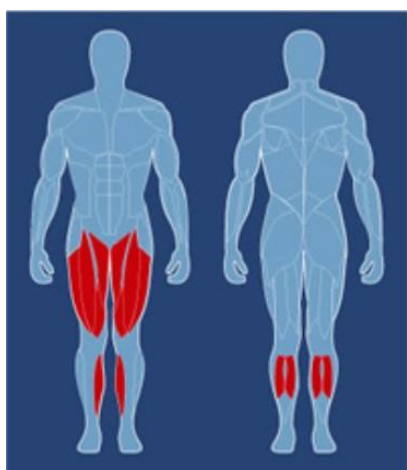
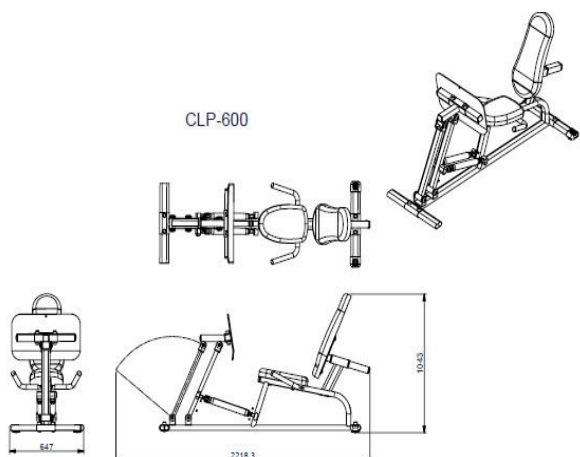


### Leg Press Machine (CLP600)



Leg press with dual hydraulic resistance mechanism

- Specially designed non-slip side handle bars for extra grip during workout
- Two hydraulic cylinders provides 12 levels of resistance
- Large non-slip footplate for extra grip during workout.
- Back pad fully adjustable
- Ideal machine for hamstring, calf and thigh development.
- Available in Black or Pumpkin coloured upholstery
- Unit Size: 2220 x 647 x 1043 mm (L x W x H)
- Unit weight: 60 Kg
- Product Code: CLP600



**CLP600 Target Muscle Groups:  
Hamstrings/Quadriceps**