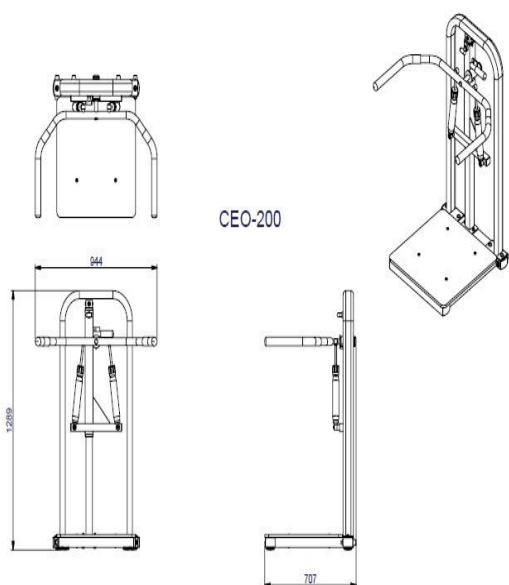
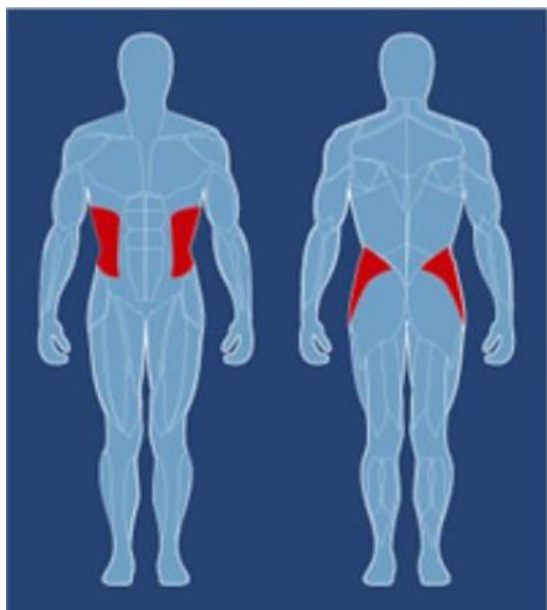


### Side Bending Machine (CEO200)



Side Bending Machine with hydraulic resistance mechanism

- Specially designed non-slip standing platform for a safe workout
- Dual hydraulic cylinders provides 6x levels of resistance
- Oversized side handle bar with cushioned padding provide extra comfort.
- Ideal machine for performing standing Hip and Torso Exercises.
- Available in Black.
- Unit Size: 944 x 707 x 1289 mm (L x W x H)
- Unit weight: 48 Kg
- Product Code: CEO200

**CEO200 Target Muscle Groups: Internal Obliques/External Obliques**